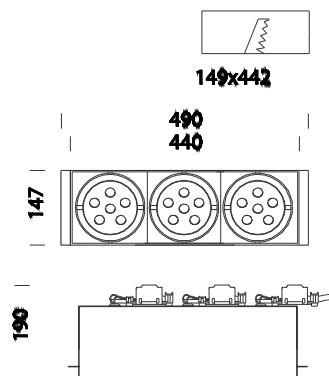
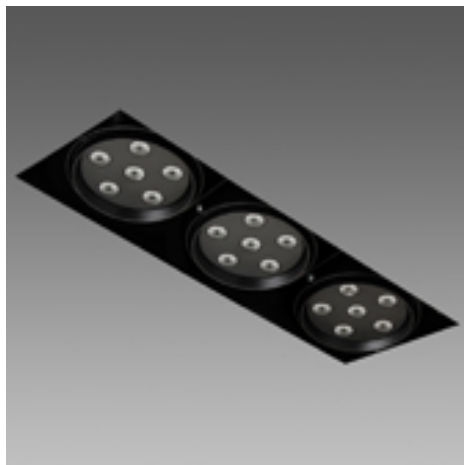


## Shop 7 ESALED



Code	Gear	Kg	Colour	Dimensions	W Tot	lamp
22180175-00	CLD CELL	3.50	black	490x147x190	54	ESALED-1800lm-3000K - 40°-CRI 80

Ideal in shops, showrooms and exhibition rooms.

Housing: Steel plate.

Coating: Humidity resistant acrylic-resin liquid paint, UV-stabilised.

Electric gear: Equipped with transformer and hard wire, 0.50 sqmm cross section and heat resistance HT sheath, in accordance with CEI 20-20 standards. Terminal block (maximum allowed lead cross section 2.5 sqmm.)

Regulations: Manufactured in accordance with standards EN60598 - CEI 34 -21. Degree of protection in accordance with standards EN60529.

ESALED: 3000K - 1050mA - 1800lm - CRI 80