



Saving Comfort B

A complete range of round recessed spotlights to get the best lighting results in public spaces: stores, showrooms or hotels.

Saving LED is a family of recessed spotlights especially suitable for shielded, wide beam, long-lasting and durable lighting. Saving LED improves the control of the lights in stores with all the advantages of LED sources.

Each version guarantees the highest light quality, enhanced with an extraordinary colour rendering.

Housing: in die cast aluminium.

Installation: is equipped with galvanised steel support brackets, with housing for springs for attachment to the false ceilings.

Coating: dust painted, using polyester epoxy paint to withstand UV rays.

Standard supply: Includes adjustable steel bracket.

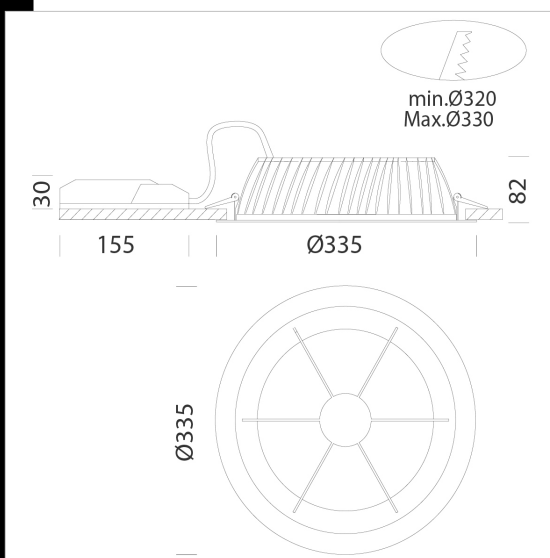
LED: Luminous flux maintenance 80%: 50.000h (L80B20). Power factor >0.9

Photobiological safety class: Exempt group.

Download

DXF 2D
- saving335.dxf

Montaggi
- SAVING_SAVING-COMFORT
rev2.pdf



Code	Gear	Kg	Lumen Output-K-CRI	WTot	Colour
22176310-00	CLD	2,04	LED-3775lm-3000K-CRI 80	40 W	WHITE
22176311-00	CLD	2,04	LED-3890lm-4000K-CRI 80	40 W	WHITE
22176310-1241	CLD-D-D	0,98	LED-3775lm-3000K-CRI 80	40 W	WHITE
22176311-1241	CLD-D-D	0,98	LED-3890lm-4000K-CRI 80	40 W	WHITE

Accessori



- EM Kit Q

The reported luminous flux is the flux emitted by the light source with a tolerance of $\pm 10\%$ compared to the indicated value. The W tot column indicates the total wattage absorbed by the system without exceeding 10% of the indicated