

Shell 2

Our considerable technological experience in both design and production, and the high level of integration between industrial design and lighting design has led to a new series of recessed fixtures using compact fluorescent lamps. The design of the fixture is extremely simple and functional. Designed to provide a high degree of energy saving together with an excellent quality of the light emitted, to comply with the various requirements for safety (IP205) and maintenance.

Housing/Reflector: 1In aluminium

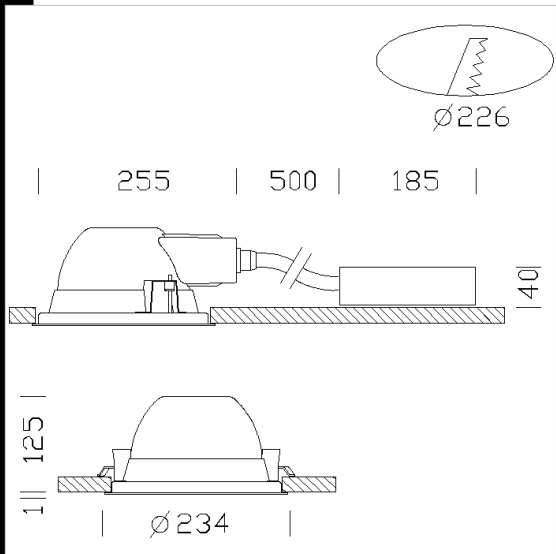
Lampholder: in polycarbonate with phosphor bronze contacts.

Electric gear: 230V/50Hz power supply with thermal protection. Hard wire, 0.50 sq. mm cross-section and PVC-HT sheath, resistant up to 90°C in compliance with CEI 20-20 standards. 2P+T terminal block with maximum allowed lead cross-section of 2.5 sq. mm.

Equipment: Separate gear box waterproof . Fixtures complete with stainless steel brackets to ensure a perfect fit against false ceilings from 1 to 37 mm thick.

Accessories: in polycarbonate, interchangeable with each other always using the same article.

Regulations: Produced according to applicable EN60598 - CEI 34 - 21 standards, IP44IK07 degree of protection according to EN 60529 standards. This product can be installed on normally inflammable surfaces.



Download

DXF 2D
- shell2.dxf

Montaggi
- staffafis.dxf
- farcass.dxf
- 771751 shell.pdf
- cambiolam.dxf

Code	Gear	Kg	Lumen-K-CRI	WTot	Base	Colour
22175173-08	CELL	0.75	FLC 2x18D/E-1200lm-3000K-Ra 1b	37 W	G24q-2	ALLUMINIO
22175174-1241	CELL-D-D	1.56	FLC 2x26D-1800lm-3000K-Ra 1b	54 W	G24d-3	ALLUMINIO
22175174-08	CELL	0.75	FLC 2x26D/E-1800lm-3000K-Ra 1b	49 W	G24q-3	ALLUMINIO
22175174-94	CELL-D-E	2.80	FLC 2x26D-1800lm-3000K-Ra 1b	56 W	G24d-3	ALLUMINIO
22175176-00	CELL	1.10	FLC 2x32T/E-2400lm-3000K-Ra 1b	70 W	Gx24q-3	ALLUMINIO
22175174-9441	CELL-D-D-E	2.80	FLC 2x26D-1800lm-3000K-Ra 1b	54 W	G24d-3	ALLUMINIO
22175177-00	CELL	1.50	FLC 1x42T/E-3200lm-3000K-Ra 1b	47 W	Gx24q-4	ALLUMINIO
22175174-12	CELL-D	1.56	FLC 2x26D-1800lm-3000K-Ra 1b	56 W	G24d-3	ALLUMINIO
22175178-08	CELL	2.00	FLC 2x32T/E-2400lm-3000K-Ra 1b	48 W	Gx24q-3	ALLUMINIO
22175173-09	CELL-E	2.50	FLC 2x18D/E-1200lm-3000K-Ra 1b	35 W	G24q-2	ALLUMINIO
22175175-00	CELL	1.00	FLC 1x32T/E-2400lm-3000K-Ra 1b	35 W	Gx24q-3	ALLUMINIO
22175174-09	CELL-E	2.55	FLC 2x26D/E-1800lm-3000K-Ra 1b	49 W	G24q-3	ALLUMINIO

Accessories



- Skirt



- Decorative ring



- Ring + glass + skirt



- Prismatic ring



- Ring + glass



- Prismatic ring



- Ring + convex screen

The reported luminous flux is the flux emitted by the light source with a tolerance of $\pm 10\%$ compared to the indicated value. The W tot column indicates the total wattage absorbed by the system without exceeding 10% of the indicated