



Shell 1 IP44

Our considerable technological experience in both design and production, and the high level of integration between industrial design and lighting design has led to a new series of recessed fixtures using compact fluorescent lamps. The design of the fixture is extremely simple and functional. Designed to provide a high degree of energy saving together with an excellent quality of the light emitted, to comply with the various requirements for safety (IP44IK07) and maintenance.

Housing/Reflector: 1In aluminium

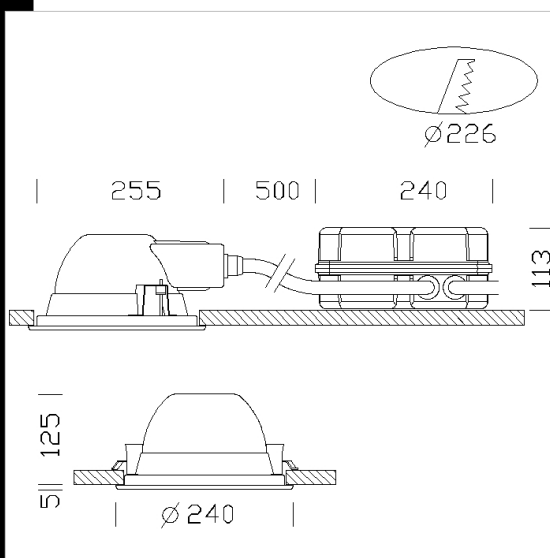
Lampholder: in polycarbonate with phosphor bronze contacts.

Electric gear: 230V/50Hz power supply with thermal protection. Hard wire, 0.50 sq. mm cross-section and PVC-HT sheath, resistant up to 90°C in compliance with CEI 20-20 standards. 2P+T terminal block with maximum allowed lead cross-section of 2.5 sq. mm.

Equipment: Separate gear box waterproof . Fixtures complete with stainless steel brackets to ensure a perfect fit against false ceilings from 1 to 37 mm thick.

Accessories: in polycarbonate, interchangeable with each other always using the same article.

Regulations: Produced according to applicable EN60598 - CEI 34 - 21 standards, IP44IK07 degree of protection according to EN 60529 standards. This product can be installed on normally inflammable surfaces.



Download

DXF 2D
- shell1.dxf

Montaggi

- staffafis.dxf
- farcass.dxf
- 771751 shell.pdf
- cambiolam.dxf

Code	Gear	Kg	Lumen-K-CRI	WTot	Base	Colour
22175079-08	CELL	2.00	FLC 2x26D-1800lm-3000K-Ra 1b	49 W	G24d-3	ARGENTO
22175072-08	CELL	2.40	FLC 2x18D-1200lm-3000K-Ra 1b	35 W	G24d-2	ARGENTO
22175074-09	CELL-E	2.42	FLC 1x18D-1200lm-3000K-Ra 1b	18 W	G24d-2	ARGENTO
22175071-09	CELL-E	3.00	FLC 2x18D-1200lm-3000K-Ra 1b	35 W	G24d-2	BIANCO
22175076-09	CELL-E	2.20	FLC 1x26D-1800lm-4000K-Ra 1b	27 W	G24d-3	ARGENTO
22175073-08	CELL	1.98	FLC 1x18D-1200lm-3000K-Ra 1b	18 W	G24d-2	BIANCO
22175073-09	CELL-E	3.00	FLC 1x18D-1200lm-3000K-Ra 1b	18 W	G24d-2	BIANCO
22175076-08	CELL	2.20	FLC 1x26D-1800lm-4000K-Ra 1b	27 W	G24d-3	ARGENTO
22175075-08	CELL	1.90	FLC 1x26D-1800lm-4000K-Ra 1b	27 W	G24d-3	BIANCO
22175072-09	CELL-E	2.60	FLC 2x18D-1200lm-3000K-Ra 1b	35 W	G24d-2	ARGENTO
22175078-08	CELL	2.50	FLC 2x26D-1800lm-3000K-Ra 1b	49 W	G24d-3	BIANCO
22175071-08	CELL	2.05	FLC 2x18D-1200lm-3000K-Ra 1b	35 W	G24d-2	BIANCO
22175074-08	CELL	2.00	FLC 1x18D-1200lm-3000K-Ra 1b	18 W	G24d-2	ARGENTO
22175075-09	CELL-E	2.40	FLC 1x26D-1800lm-4000K-Ra 1b	27 W	G24d-3	BIANCO

Accessories



- Skirt

The reported luminous flux is the flux emitted by the light source with a tolerance of $\pm 10\%$ compared to the indicated value. The W tot column indicates the total wattage absorbed by the system without exceeding 10% of the indicated