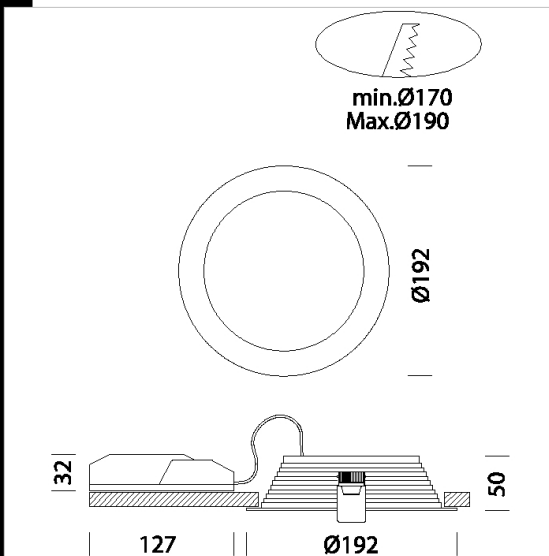


Eco Lex 2 - CRI 93



Housing: in die cast aluminium
 Diffuser: The shield consists of a laser-cut slab that serves as a lens for its effect of concentric circles. These decorations create a pattern, with variable distances; the closer they get to the centre, the closer they come together achieving excellent visual comfort without glare
 Painting: dust painted, using polyester epoxy paint to withstand UV rays.
 Standard supply: Includes adjustable steel bracket.
 Regulations: Manufactured in accordance with standards EN60598 – CEI 34 –21. Degree of protection in accordance with standards EN60529.
 LED: High-efficiency light sources (CRI 95).
 Power factor: 0.9
 Photobiological safety class: Exempt group.
 Luminous flux maintenance 80%: 50.000h (L80B20).
 recessed Ø 170/190mm



Code	Gear	Kg	Lumen Output-K-CRI	WTot	Colour
22174915-00	CLD	0,80	LED-1283lm-4000K-CRI 95	14 W	WHITE
22174919-00	CLD	0,80	LED-1209lm-3000K-CRI 95	14 W	WHITE

Accessori



- EM Kit Q



- Protective grig - Eco Lex



Download

DXF 2D
 - ecolex2.dxf

Montaggi
 - ECO_LEX_LED rev12.pdf

The reported luminous flux is the flux emitted by the light source with a tolerance of ± 10% compared to the indicated value. The W tot column indicates the total wattage absorbed by the system without exceeding 10% of the indicated