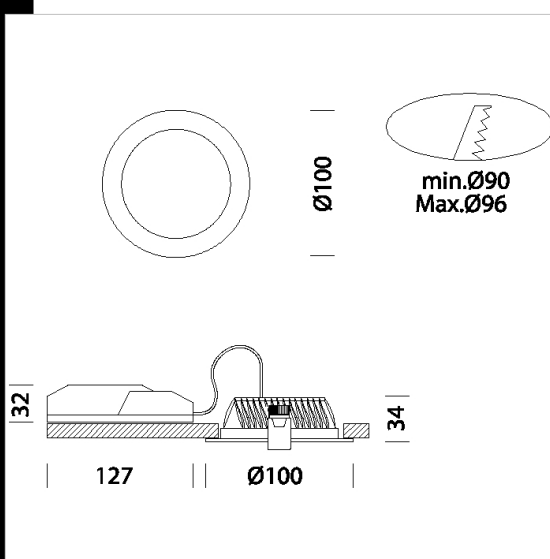


## Eco Lex - CRI 95

Housing: in die cast aluminium  
 Diffuser: The shield consists of a laser-cut slab that serves as a lens for its effect of concentric circles. These decorations create a pattern, with variable distances; the closer they get to the centre, the closer they come together achieving excellent visual comfort without glare  
 Painting: dust painted, using polyester epoxy paint to withstand UV rays.  
 Standard supply: Includes adjustable steel bracket.  
 Regulations: Manufactured in accordance with standards EN60598 – CEI 34 –21. Degree of protection in accordance with standards EN60529.  
 LED: High-efficiency light sources (CRI 95).  
 Power factor: 0.9  
 Photobiological safety class: Exempt group.  
 Luminous flux maintenance 80%: 50.000h (L80B20).

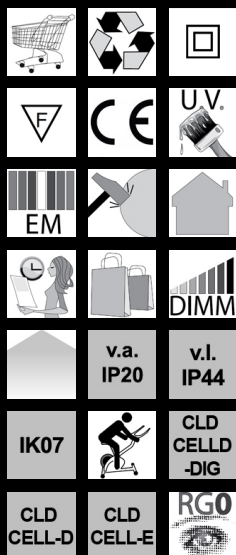


Code	Gear	Kg	Lumen Output-K-CRI	WTot	Colour
22174903-00	CLD CELL	0,28	LED-960lm-3000K-CRI 95	11 W	WHITE
22174904-00	CLD CELL	0,29	LED-1000lm-4000K-CRI 95	11 W	WHITE
22174903-1241	CLD CELL-D-D	0,25	LED-960lm-3000K-CRI 95	11 W	WHITE
22174904-1241	CLD CELL-D-D	0,30	LED-1000lm-4000K-CRI 95	11 W	WHITE
22174903-09	CLD CELL-E	0,80	LED-960lm-3000K-CRI 95	11 W	WHITE
22174904-09	CLD CELL-E	0,77	LED-1000lm-4000K-CRI 95	11 W	WHITE
22174903-31	CLD CELL-E	0,80	LED-960lm-3000K-CRI 95	11 W	WHITE
22174904-31	CLD CELL-E	0,80	LED-1000lm-4000K-CRI 95	11 W	WHITE

### Accessori



- EM Kit Q



### Download

DXF 2D  
 - lexled0.dxf

Montaggi  
 - ECO\_LEX\_LED rev12.pdf

The reported luminous flux is the flux emitted by the light source with a tolerance of  $\pm 10\%$  compared to the indicated value. The W tot column indicates the total wattage absorbed by the system without exceeding 10% of the indicated