

Download  
DXF 2D  
- aostaled.dxf



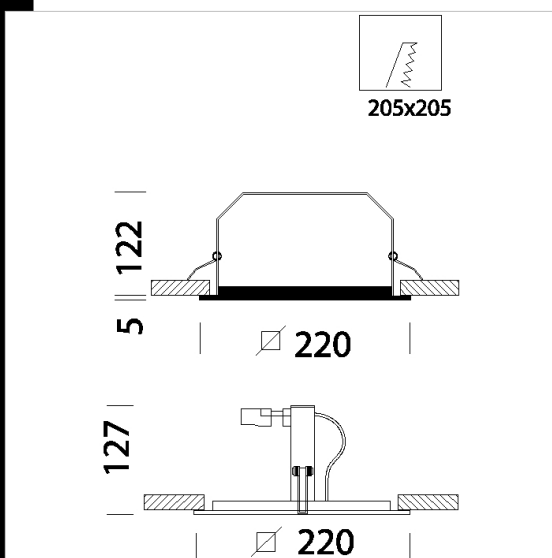
## Aosta LED RGB

Housing: aluminium.

Aosta LED RGB: professional lighting systems for interiors with decorative panels:

- Backlight technology for new interior decorating needs
- Ceilings bring new depth
- They emphasise the trends in contemporary architecture
- Energy-efficient and eco-compatible.

power supply acc : 99056, 99054, 90879, 92054.



Code	Gear	Kg	Watt	Base	Lamps	Colour
22174846-00	CLD CELL	0,80	LED strip x4 RGB	-	R24lm G40lm B16lm-na-na	White

### Accessori



- kit RGB