



## Aosta 9 LED

Aosta LED is a family of recessed spotlights, available in square profiles, which is particularly suited for wide-beam light distribution over prolonged and continuous periods.

Aosta LED significantly improves the management of the store itself with all the advantages of LED sources. These luminaires represent a great leap forward in interior lighting design.

Light is softer and improves comfort creating spaces that are more pleasant to live in and that make shopping even more enjoyable.

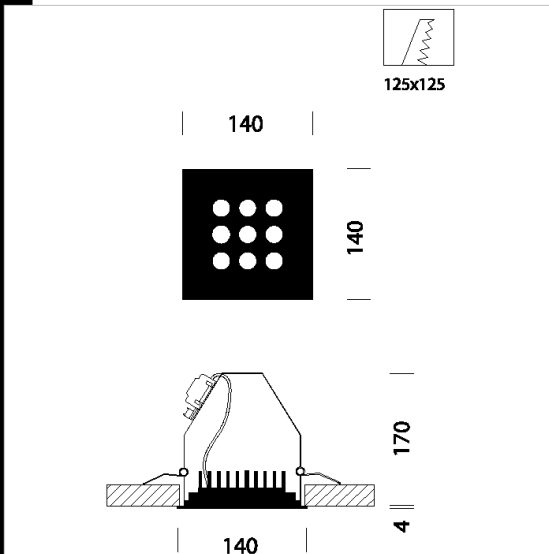
Ideal for spaces where light runs all day long (malls, hotels, showrooms).

Housing: In aluminium.

Equipment: complete with electronic power supply unit separated from the LEDs. Possibility to select the drive current (350, 500, 700mA) using a switch inside the driver.

Upon request: 20° or 60° beam angle.

LED: high-efficiency light sources. 4000K - 700mA - 40° - 2220lm - CRI80



Code	Gear	Kg	Watt	Base	Lamps	Colour
22174817-00	CLD CELL-D	0,80	LED 9x2,3W	-	2220lm-4000K-CRI 80	WHITE
22174838-00	CLD CELL-D	0,80	LED 9x2,3W	-	2220lm-4000K-CRI 80	BLACK

Download

DXF 2D  
- aosta9.dxf