



Download
DXF 2D
- aostaled.dxf



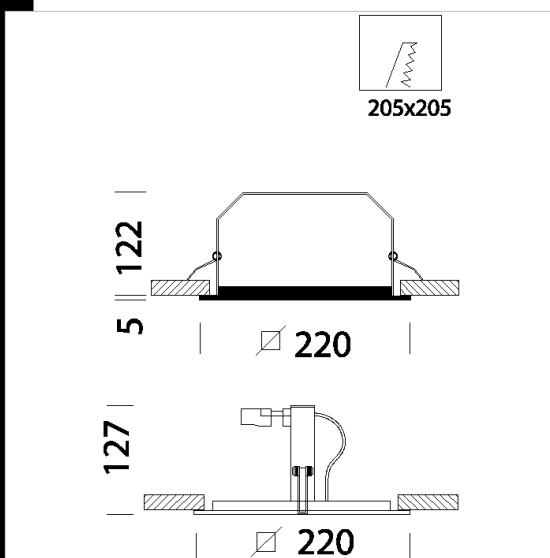
Aosta LED

Housing: steel

Aosta LED: professional lighting systems for interiors with decorative panels:

- Backlight technology for new interior decorating needs
- Ceilings bring new depth
- They emphasise the trends in contemporary architecture
- Energy-efficient and eco-compatible.

Power supply acc: 90839, 92022.



Code	Gear	Kg	Watt	Base	Lamps	Colour
22174815-00	CLD S+L	0,90	LED strip x4 white	-	800lm-4200K-CRI 80	WHITE

Accessories



- IP20 Microliset box



- LED transformer 12V