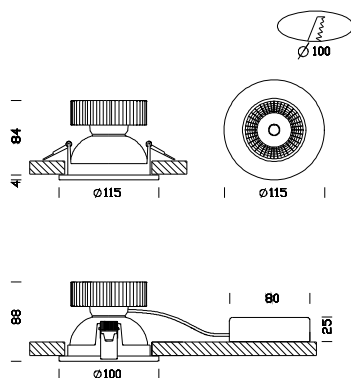


KF 1 - retrofit family



Code	Gear	Kg	Colour	Dimensions	W Tot	lamp
22174611-08	CLD CELL-D	0.20	white	0x0x96 Ø116	11	LED 11W white-1200lm-4000K - 38°-CRI>80
22174611-09	CLD CELLDE	1.20	white	0x0x96 Ø116	11	LED 11W white-1200lm-4000K - 38°-CRI>80
22174711-08	CLD CELL-D	0.20	white	0x0x96 Ø116	11	LED 11W white-1200lm-3000K - 38°-CRI>80

Interior lighting has been undergoing a massive transformation in recent years. Today, the primary objective is to achieve maximum visual comfort that takes on different meanings based on the context in which the lighting fixture is mounted. In fact, LEDs ensure energy-saving, long life and simple maintenance. Ideal requirements for lighting fixtures that need to stay on all day and Ideal to replace old systems

Housing: in die cast aluminium

Reflector: dark light

Painting: dust painted, using polyester epoxy paint to withstand UV rays.

Standards: Products complying with EN 60598-1-CEI 34.21 standards, with a degree of protection in compliance with EN 60529 standards.

LED: 10.5Wtot. - 3000K/4000K - 1200lm - CRI>80 18°

On request: IP44 version.

Fattore di potenza: $\geq 0,93$

Mantenimento del flusso luminoso al 70%: 50000h (L70B50)