

Eco Lex 4 - DIP SWITCH



Eco Lex LED is a new series of recessed spotlights that combines advanced technology and energy savings with an easy-to-install, low cost, robust and durable fixture. Available in three sizes with a diam. of 100, 164, 192, 220 mm, they cover a wide range of cutout holes.

Housing: in die cast aluminium

Diffuser: The shield consists of a laser-cut slab that serves as a lens for its effect of concentric circles. These decorations create a pattern, with variable distances; the closer they get to the centre, the closer they come together achieving excellent visual comfort without glare

Painting: dust painted, using polyester epoxy paint to withstand UV rays.

Standard supply: Includes adjustable steel bracket.

Regulations: Manufactured in accordance with standards EN60598 – CEI 34 –21. Degree of protection in accordance with standards EN60529.

Power factor: 0.9

Photobiological safety class: Exempt group.

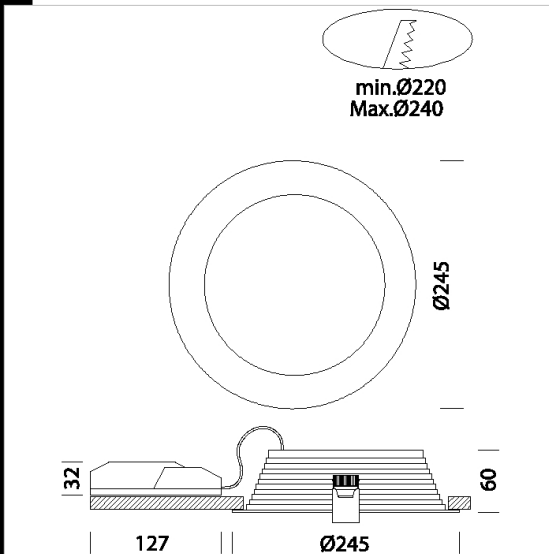
Luminous flux maintenance 80%: 50.000h (L80B20).

recessed Ø 220/240mm

DIP switch setting: the fixture comes with a dip switch driver for the setting of the output current. In this way you, can ensure the best luminous flux for any lighting design. The possibility to choose the correct drive current for LEDs will allow you to have the right power under specific design conditions. Using a lower current will improve the efficiency of fixtures and therefore increase energy savings, whilst a higher current will result in a higher light flux so that you can reduce the number of fixtures.

22173714-00 DIP SWITCH 1 out W tot K - ølm - CRI 700 27 4000K - 2711lm - CRI>90 750 29 4000K - 2926lm - CRI>90 850 33 4000K - 3239lm - CRI>90

22173714-39 DIP SWITCH 1 out W tot K - ølm - CRI 700 27 3000K - 2633lm - CRI>90 750 29 3000K - 2779lm - CRI>90 850 33 3000K - 3077lm - CRI>90



Code	Gear	Kg	Lumen Output-K-CRI	WTot	Colour
22173714-00	CLD	0,80	LED-3085lm-4000K-800mA-CRI>90	31 W	WHITE
22173714-39	CLD	0,80	LED-2931lm-3000K-800mA-CRI>90	31 W	WHITE



Download
DXF 2D
- ecolex4.dxf

The reported luminous flux is the flux emitted by the light source with a tolerance of ± 10% compared to the indicated value. The W tot column indicates the total wattage absorbed by the system without exceeding 10% of the indicated