



MicroLex LED

A new series of the popular and top-quality LEX recessed spotlights, very small and very small height suitable for countertops with limited space.

Housing: in die cast aluminium

Diffuser: panel in PMMA, 6 mm thick, with laser silk-screening suitably dimensioned based on the power level of the LED

Painting: dust painted, using polyester epoxy paint to withstand UV rays.

Standard supply: Includes adjustable steel bracket.

Regulations: Manufactured in accordance with standards EN60598 – CEI 34 –21. Degree of protection in accordance with standards EN60529.

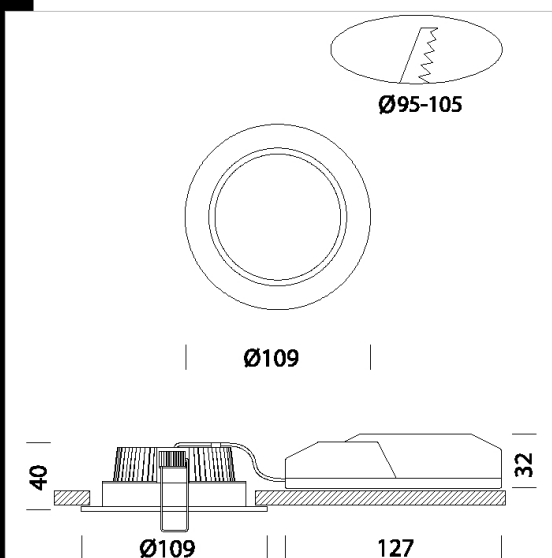
LED: high-efficiency light sources 900lm - 3000/4000K - CRI 90

Power factor: 0.9

Photobiological safety class: Exempt group.

Luminous flux maintenance 70%: 35.000h (L70B50).

recessed Ø 95/105mm



Code	Gear	Kg	Watt	Base	Lamps	Colour
22173210-00	CLD CELL	0,31				WHITE
22173213-00	CLD CELL	0,32				WHITE

Download

DXF 2D

- microlexled.dxf