

Energy EM

A family of fixtures designed to combine high energy saving with excellent light quality, to address diverse needs concerning both safety (IP23IK07 and double insulation) and maintenance. The fixture's design is extremely clean and functional.

Housing: Vandal-resistant, V2 self-extinguishing, UV-stabilized, anti-yellowing polycarbonate.

Reflector: V2 self-extinguishing polycarbonate; aluminium powder coated through a C.V.D. hard-vacuum process for greater light control and efficiency.

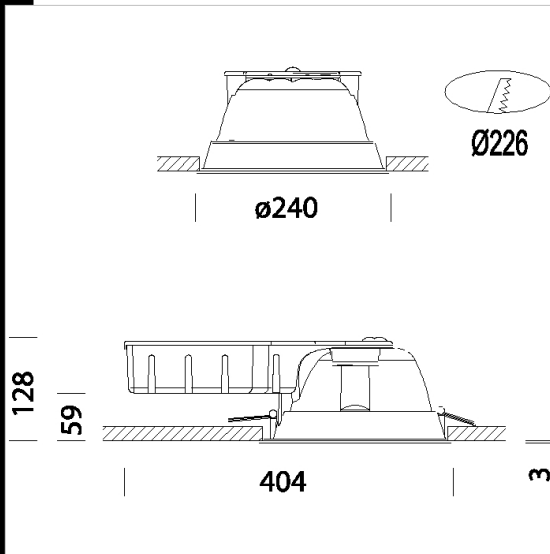
Lampholder: Polycarbonate with phosphor bronze contacts.

Electric gear: 230V/50Hz power supply. Hard wire, 0.50 sqmm cross section and heat-resistant (90°C) PVC-HT sheath, in accordance with CEI 20-20 standards. 2P terminal block (maximum allowed lead cross section 2.5 sqmm.)

Equipment: Electric accessories located on the side of the housing in a polycarbonate box with cooling slots. Includes stainless steel springs ensuring perfect adherence to 1 to 20 mm. thick false ceilings.

Regulations: Manufactured in accordance with standards EN60598 – CEI 34 –21. Degree of protection in accordance with standards EN60529.

Emergency version: In the event of a blackout, one lamp connected to the emergency circuit remains on, thus avoiding the inconvenience usually caused by sudden power failure. Its emergency run time is 60 minutes. When power supply is restored, the battery recharges automatically.



Code	Gear	Kg	Lumen-K-CRI	WTot	Base	Colour
22172178-09	CELL-E	1.95	FLC 2x18D/E-1200lm-4000K-Ra 1b	35 W	G24q-2	ALLUMINIO
22173178-09	CELL-E	2.00	FLC 2x18D/E-1200lm-3000K-Ra 1b	35 W	G24q-2	ALLUMINIO
22173176-09	CELL-E	2.05	FLC 2x26D/E-1800lm-3000K-Ra 1b	49 W	G24q-3	ALLUMINIO
22173177-09	CELL-E	1.85	FLC 1x26D/E-1800lm-3000K-Ra 1b	27 W	G24q-3	ALLUMINIO
22173175-09	CELL-E	2.50	FLC 1x18D/E-1200lm-3000K-Ra 1b	18 W	G24q-2	ALLUMINIO
22172176-09	CELL-E	2.05	FLC 2x26D/E-1800lm-4000K-Ra 1b	49 W	G24q-3	ALLUMINIO

Accessories



- Metallic ring Energy 2000



- Glass



- Glass



- Prismatic ring - Energy 2000



- Prismatic ring Energy 2000



- Louvre Energy 2000



- Opal ring Energy 2000



- Sandblasted glass



- Glass Energy 2000

The reported luminous flux is the flux emitted by the light source with a tolerance of $\pm 10\%$ compared to the indicated value. The W tot column indicates the total wattage absorbed by the system without exceeding 10% of the indicated