

Lex -

Housing: In steel with frame steel.

Diffuser: sandblasted glass

Reflector: metallized aluminum with high efficiency.

Electric gear: 220-240V 50/60Hz power supply with thermal protection. Hard wire, 0.50 sq. mm cross-section and PVC-HT sheath, resistant up to 90°C.

Equipment. Includes steel springs ensuring perfect adherence to false ceilings. Hinge opening of the glass holding ring for easier maintenance.

Accessory holder separated from lamp compartment for effective heat dissipation.

Regulations: Produced according to applicable EN60598 - CEI 34 - 21 standards. This product can be installed on normally inflammable surfaces.

Protection degree: v.i. IP20 , v.e. IP43 .

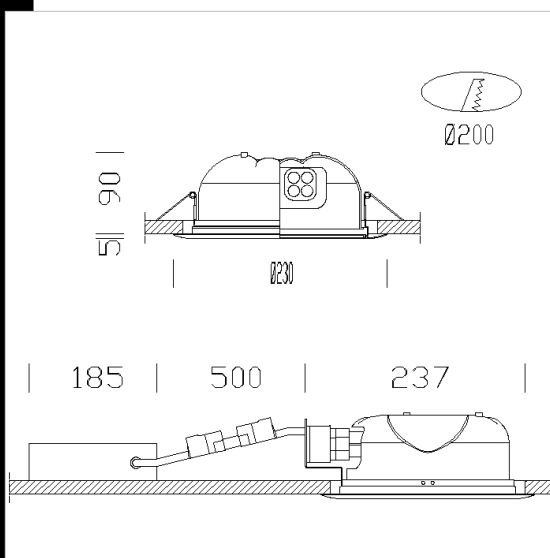
Download

DXF 2D

- lex.dxf

Montaggi

- lex flc lex em.pdf



Code	Gear	Kg	Lumen-K-CRI	WTot	Base	Colour
22173015-08	CELL	0.90	FLC 2x26D/E-1800lm-4000K-Ra 1b	49 W	G24q-3	WHITE
22173016-08	CELL	2.12	FLC 2x18D/E-1200lm-4000K-Ra 1b	37 W	G24q-2	WHITE
22173076-08	CELL	0.85	FLC 2x18D/E-1200lm-4000K-Ra 1b	37 W	G24q-2	SILVER
22173076-09	CELL-E	1.85	FLC 2x18D/E-1200lm-4000K-Ra 1b	39 W	G24q-2	SILVER
22173015-09	CELL-E	1.60	FLC 2x26D/E-1800lm-4000K-Ra 1b	51 W	G24q-3	WHITE
22173075-09	CELL-E	1.60	FLC 2x26D/E-1800lm-4000K-Ra 1b	51 W	G24q-3	SILVER
22173016-09	CELL-E	1.85	FLC 2x18D/E-1200lm-4000K-Ra 1b	39 W	G24q-2	WHITE
22173075-08	CELL	0.90	FLC 2x26D/E-1800lm-4000K-Ra 1b	52 W	G24q-3	SILVER

The reported luminous flux is the flux emitted by the light source with a tolerance of $\pm 10\%$ compared to the indicated value. The W tot column indicates the total wattage absorbed by the system without exceeding 10% of the indicated