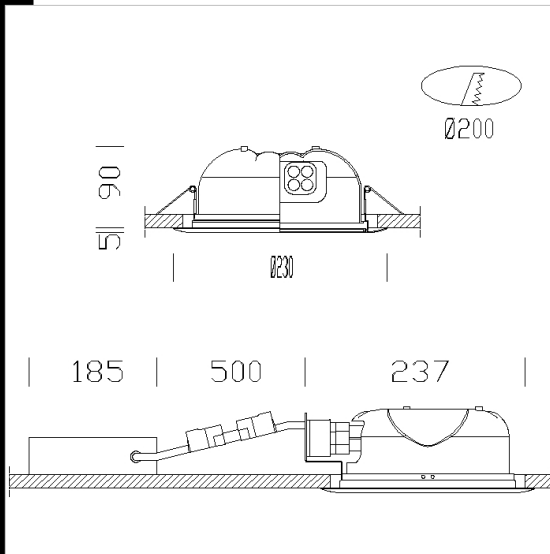


Lex - Home

Housing: In steel with frame steel.
 Diffuser: sandblasted glass
 Reflector: metallized aluminum with high efficiency.
 Electric gear: 220-240V 50/60Hz power supply with thermal protection. Hard wire, 0.50 sq. mm cross-section and PVC-HT sheath, resistant up to 90°C.
 Equipment. Includes steel springs ensuring perfect adherence to false ceilings.
 Hinge opening of the glass holding ring for easier maintenance.
 Accessory holder separated from lamp compartment for effective heat dissipation.
 Regulations: Produced according to applicable EN60598 - CEI 34 - 21 standards. This product can be installed on normally inflammable surfaces.
 Protection degree: v.i. IP20 , v.e. IP43 .



Code	Gear	Kg	Lumen-K-CRI	WTot	Base	Colour
22173011-08	CELL	0.90	FLC 2x26D/E-1800lm-4000K-Ra 1b	52 W	G24q-3	BIANCO
22173010-94	CELL-D-E	1.82	FLC 2x18D/E-1200lm-4000K-Ra 1b	38 W	G24q-2	BIANCO
22173070-94	CELL-D-E	2.61	FLC 2x18D/E-1200lm-4000K-Ra 1b	38 W	G24q-2	ARGENTO
22173071-08	CELL	0.90	FLC 2x26D/E-1800lm-4000K-Ra 1b	49 W	G24q-3	ARGENTO
22173010-12	CELL-D	1.82	FLC 2x18D/E-1200lm-4000K-Ra 1b	38 W	G24q-2	BIANCO
22173011-09	CELL-E	1.90	FLC 2x26D/E-1800lm-4000K-Ra 1b	51 W	G24q-3	BIANCO
22173070-12	CELL-D	1.82	FLC 2x18D/E-1200lm-4000K-Ra 1b	38 W	G24q-2	ARGENTO
22173010-09	CELL-E	1.90	FLC 2x18D/E-1200lm-4000K-Ra 1b	39 W	G24q-2	BIANCO
22173070-08	CELL	0.90	FLC 2x18D/E-1200lm-4000K-Ra 1b	37 W	G24q-2	ARGENTO
22173071-12	CELL-D	1.64	FLC 2x26D/E-1800lm-4000K-Ra 1b	56 W	G24q-3	ARGENTO
22173011-94	CELL-D-E	2.80	FLC 2x26D/E-1800lm-4000K-Ra 1b	56 W	G24q-3	BIANCO
22173070-09	CELL-E	1.90	FLC 2x18D/E-1200lm-4000K-Ra 1b	39 W	G24q-2	ARGENTO
22173071-94	CELL-D-E	1.82	FLC 2x26D/E-1800lm-4000K-Ra 1b	56 W	G24q-3	ARGENTO
22173010-08	CELL	0.90	FLC 2x18D/E-1200lm-4000K-Ra 1b	37 W	G24q-2	BIANCO
22173011-12	CELL-D	1.64	FLC 2x26D/E-1800lm-4000K-Ra 1b	56 W	G24q-3	BIANCO
22173071-09	CELL-E	1.70	FLC 2x26D/E-1800lm-4000K-Ra 1b	51 W	G24q-3	ARGENTO

The reported luminous flux is the flux emitted by the light source with a tolerance of $\pm 10\%$ compared to the indicated value. The W tot column indicates the total wattage absorbed by the system without exceeding 10% of the indicated