

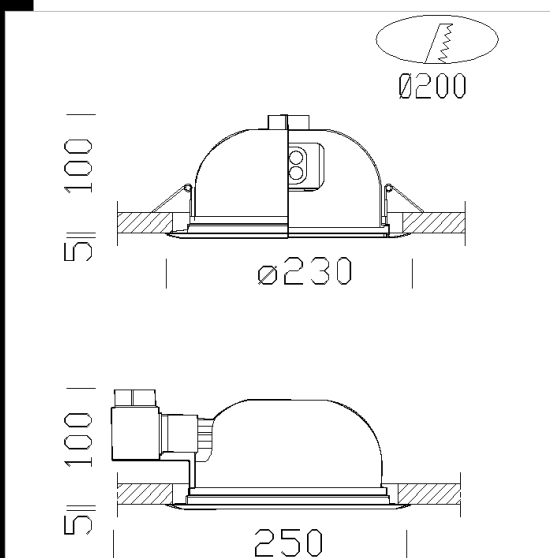
Download

DXF 2D
- 172911.dxf



Eco Lex - Home

Housing: In polycarbonate with frame steel.
 Reflector: In metalized polycarbonate to high rendering.
 Lampholder: in polycarbonate with phosphor bronze contacts.
 Electric gear: 230V/50Hz power supply with thermal protection. Hard wire, 0.50 sq. mm cross-section and PVC-HT sheath, resistant up to 90°C in compliance with CEI 20-20 standards. 2P+T terminal block with maximum allowed lead cross-section of 0.75 sq. mm.
 Equipment: Fixtures complete with stainless steel brackets to ensure a perfect fit against false ceilings
 Regulations: Produced according to applicable EN60598 - CEI 34 - 21 standards, IP20IK07 degree of protection according to EN 60529 standards. This product can be installed on normally inflammable surfaces



Code	Gear	Kg	Lumen-K-CRI	WTot	Base	Colour
22172911-00	CEL	0.36	FLC 2x15EL---	30 W	E27	BIANCO

The reported luminous flux is the flux emitted by the light source with a tolerance of $\pm 10\%$ compared to the indicated value. The W tot column indicates the total wattage absorbed by the system without exceeding 10% of the indicated