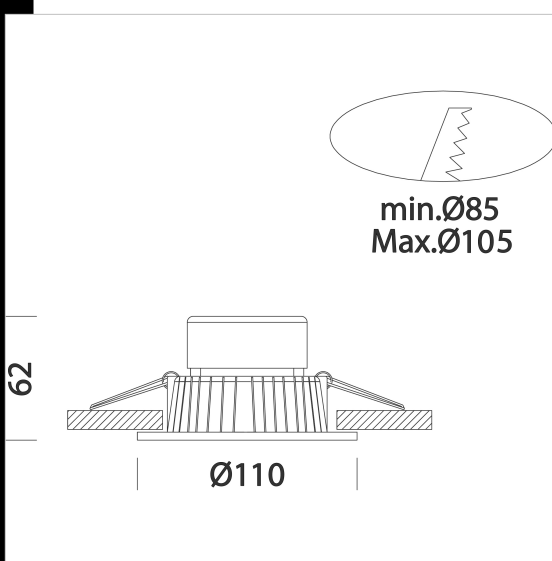


Energy 2110 - DIMM

Housing: in die-cast aluminium.
 Diffuser: panel in PMMA, 6 mm thick, with laser silk-screening suitably dimensioned based on the power level of the LED
 Painting: dust painted, using polyester epoxy paint to withstand UV rays.
 Standard supply: Includes adjustable steel bracket.
 Regulations: Manufactured in accordance with standards EN60598 – CEI 34 –21. Degree of protection in accordance with standards EN60529.
 LED: high-efficiency light sources 630/700lm - 8W - 3000/4000K - CRI 90 - DIM IGBT (dimmer must be equipped with adjustment for minimum brightness level)
 Power factor: ≥ 0.9
 Photobiological safety class: Exempt group.
 Luminous flux maintenance 70%: 40.000h (L70B50).
 recessed $\varnothing 85/105$ mm



Code	Gear	Kg	Watt	Base	Lamps	Colour
22172613-00	CLD CELL-DI	0,23	LED white 7W	-	700lm-4000K-CRI 90	WHITE
22172610-00	CLD CELL-DI	0,21	LED white 7W	-	630lm-3000K-CRI 90	WHITE

HOTEL
 ★ ★ ★ ★ ★
 ♻️
 □
 △
 CE
 ♻️
 UV
 ✋
 🏠
 ⌚
 A+B=
 👤
 👤
 🛍️
 🏠
 DIMM
 LOW FLICKER
 Colour quality
 IK07
 🛒
 CLD CELL-D
 🚴
 v.a. IP44
 RGO
 v.a. IP20

Download
 DXF 2D
 - en2110.dxf
 Montaggi
 - energy_.pdf