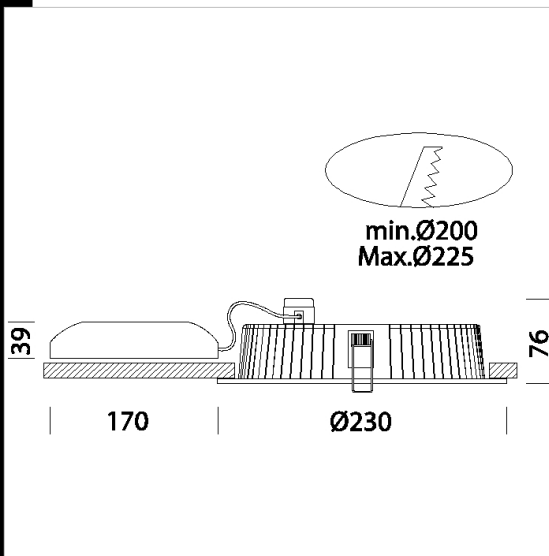


Energy 2230 B - DIMM

Housing: in die-cast aluminium.
 Diffuser: panel in PMMA, 6 mm thick, with laser silk-screening suitably dimensioned based on the power level of the LED
 Painting: dust painted, using polyester epoxy paint to withstand UV rays.
 Standard supply: Includes adjustable steel bracket.
 Regulations: Manufactured in accordance with standards EN60598 – CEI 34 –21. Degree of protection in accordance with standards EN60529.
 LED: high-efficiency light sources 2700/3000lm - 25W - 3000/4000K - CRI 90
 Power factor: ≥ 0.9
 Photobiological safety class: Exempt group.
 Luminous flux maintenance 70%: 40.000h (L70B50).
 recessed \varnothing 205/225mm



Code	Gear	Kg	Watt	Base	Lamps	Colour
22172214-00	CLD CELL	0,78	LED white 25W		2700lm-3000K-CRI 90	WHITE
22172215-00	CLD CELL	0,85	LED white 25W		3000lm-4000K-CRI90	WHITE
22172214-09	CLD CELL-E	1,24	LED white 25W		2700lm-3000K-CRI 90	WHITE
22172215-09	CLD CELL-E	1,25	LED white 25W		3000lm-4000K-CRI90	WHITE
22172214-12	CLD CELL-D	0,82	LED white 25W		2700lm-3000K-CRI 90	WHITE
22172215-12	CLD CELL-D	0,83	LED white 25W		3000lm-4000K-CRI90	WHITE

- CLD CELL
- EM
- CE
- UV
- EM
- A+B=
- DIMM
- LOW FLICKER
- Colour quality
- IK07
- v.l. IP44
- CLD CELL-D
- RG0
- CLD CELL-E
- v.a. IP20

Download
 DXF 2D
 - enb2230.dxf
 Montaggi
 - energy_.pdf