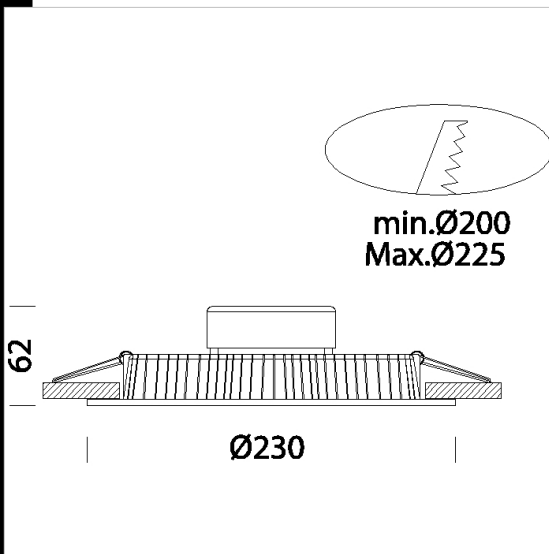


Energy 2230 A - DIMM

Housing: in die-cast aluminium.
 Diffuser: panel in PMMA, 6 mm thick, with laser silk-screening suitably dimensioned based on the power level of the LED
 Painting: dust painted, using polyester epoxy paint to withstand UV rays.
 Standard supply: Includes adjustable steel bracket.
 Regulations: Manufactured in accordance with standards EN60598 – CEI 34 –21. Degree of protection in accordance with standards EN60529.
 LED: high-efficiency light sources 2100/2180lm - 18W - 3000/4000K - CRI 90
 Power factor: ≥ 0.9
 Photobiological safety class: Exempt group.
 Luminous flux maintenance 70%: 40.000h (L70B50).
 recessed \varnothing 205/225mm



Code	Gear	Kg	Watt	Base	Lamps	Colour
22172211-00	CLD CELL	0,81	LED white 18W		2100lm-3000K-CRI 90	WHITE
22172212-00	CLD CELL	0,80	LED white 18W		2180lm-4000K-CRI 90	WHITE
22172211-09	CLD CELL-E	1,27	LED white 18W		2100lm-3000K-CRI 90	WHITE
22172212-09	CLD CELL-E	1,30	LED white 18W		2180lm-4000K-CRI 90	WHITE
22172211-12	CLD CELL-D	0,85	LED white 18W		2100lm-3000K-CRI 90	WHITE
22172212-12	CLD CELL-D	0,83	LED white 18W		2180lm-4000K-CRI 90	WHITE
22172211-1241	CLD CELL-D-D	0,85	LED white 18W		2100lm-3000K-CRI 90	WHITE
22172212-1241	CLD CELL-D-D	0,81	LED white 18W		2180lm-4000K-CRI 90	WHITE
22172211-9441	CLD CELL-D-D-E	0,90	LED white 18W		2100lm-3000K-CRI 90	WHITE
22172212-9441	CLD CELL-D-D-E	1,32	LED white 18W		2180lm-4000K-CRI 90	WHITE

Accessori



- Presence and light sensor



Download

DXF 2D
 - en2230.dxf

Montaggi
 - energy_.pdf