

**Download**

DXF 2D  
- minilex1.dxf



## Mini Lex 1

Housing: In polycarbonate with frame steel.

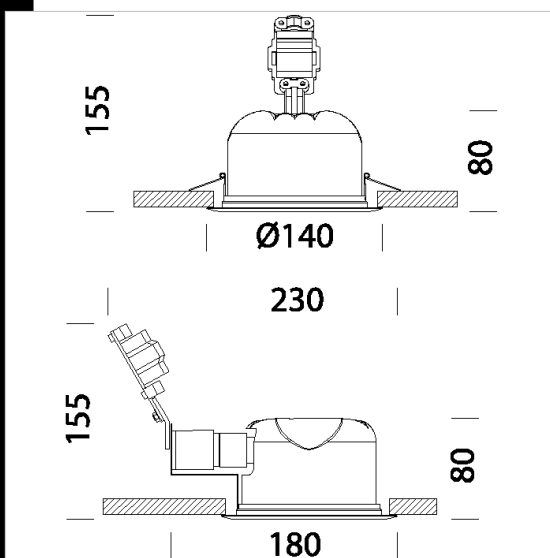
Reflector: In metalized polycarbonate to high rendering.

Lampholder: in polycarbonate with phosphor bronze contacts.

Electric gear: 230V/50Hz power supply with thermal protection. Hard wire, 0.50 sq. mm cross-section and PVC-HT sheath, resistant up to 90°C in compliance with CEI 20-20 standards. 2P+T terminal block with maximum allowed lead cross-section of 0.75 sq. mm.

Equipment: Fixtures complete with stainless steel brackets to ensure a perfect fit against false ceilings

Regulations: Produced according to applicable EN60598 - CEI 34 - 21 standards, IP20IK07 degree of protection according to EN 60529 standards. This product can be installed on normally inflammable surfaces



Code	Gear	Kg	Watt	Base	Lamps	Colour
22172074-00	CEL	0,40	FLC 1x15EL	E27	-2700K-	SILVER
22172014-00	CEL	0,40	FLC 1x15EL	E27	-2700K-	WHITE