

Download
DXF 2D
- 171173.dxf



Argostar 1 - MASTERLED Bulb

Thanks to its fixture's extremely clean and functional design, it can be installed in any architectural context.

Housing: V2 self-extinguishing, UV-stabilized, anti-yellowing polycarbonate.

Diffuser: Includes a prismatic opal polycarbonate cone and a clear coloured ring.

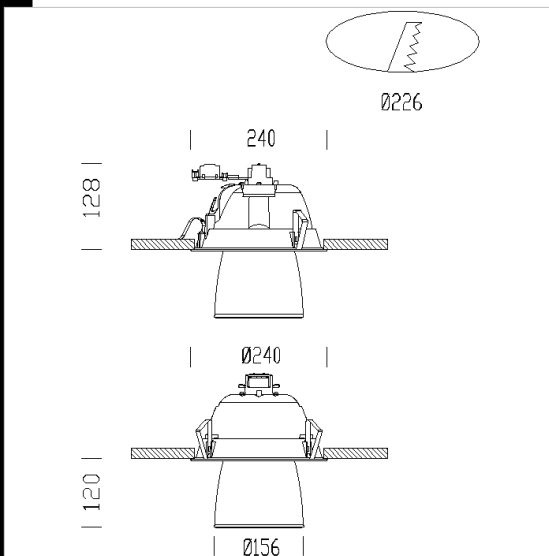
Lampholder: Ceramic with silver-plated contacts, or polycarbonate with phosphor bronze contacts.

Electric gear: 230V/50Hz power supply. 2P wire, 0.75 sqmm cross section. Polycarbonate terminal block (maximum allowed lead cross section 2.5 sqmm.)

Equipment: Includes stainless steel springs ensuring perfect adherence to 5 to 37 mm. thick false ceilings

Regulations: Manufactured in accordance with standards EN60598 - CEI 34 -21. Degree of protection in accordance with standards EN60529.

MASTERLED BULB 12W = 60W INC 25000h - 806lm - 2700K very well suited for the general lighting of public and reception spaces, especially lobbies, corridors or stairways, where lights stay on all day.



Code	Gear	Kg	Watt	Base	Lamps	Colour
22171174-00	CLD CELL-D	1,10	MASTERLED BULB	E27	806lm-2700K-na	ALUMINIUM