



Download

DXF 2D
- em1b.dxf

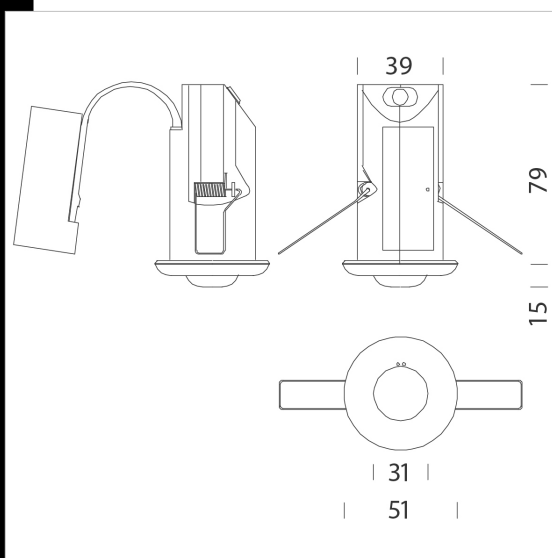


Emergency 1B

Ideal solution for a vast range of ceiling structures, with heights of up to 80 mm.

LED module for emergency lighting, direct mounting on ceilings • Complete electronics gear, LED module, heat sink, optics and accumulator • It contains multi-lens click-in optics for anti-panic lighting, escape route lighting and visual task zones with a high level of risk • Emergency lighting function for manual test

Supplied as standard with three easily interchangeable optical systems, allowing the luminaire to be used for: A) anti-panic lighting B) escape route lighting C) visual task zones with a high level of risk



Code	Gear	Kg	Lumen Output-K-CRI	WTot	Colour
22170901-00	CLD-E	0,23	LED-1h EM-6500K-CRI>80	2 W	WHITE

The reported luminous flux is the flux emitted by the light source with a tolerance of $\pm 10\%$ compared to the indicated value. The W tot column indicates the total wattage absorbed by the system without exceeding 10% of the indicated