

Slim Lex 2

SlimLex is the new and exclusive range of recessed and ceiling spotlights available with either round or square housing fitting latest generation LED sources.

This series of products was born to meet the increasingly demanding needs of modern lighting design projects for interiors.

Lighting is required to be effective and flexible in order to define spaces according to the most diverse needs. Fixtures should have a remarkable visual impact with low running costs and long life cycle. They should generate special light effects such as accent lighting or ambient lighting.

Housing: in die cast aluminium

Diffuser: panel in PMMA, with laser silk-screening suitably dimensioned based on the power level of the LED

Painting: dust painted, using polyester epoxy paint to withstand UV rays.

Standard supply: Includes adjustable steel bracket.

Regulations: Manufactured in accordance with standards EN60598 – CEI 34 –21. Degree of protection in accordance with standards EN60529.

Power factor: 0.9

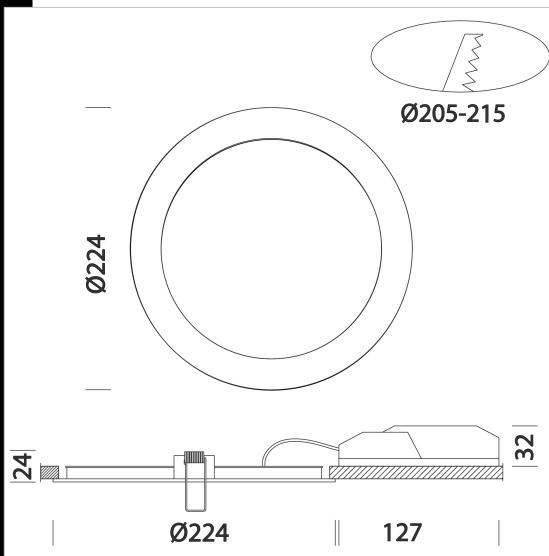
Photobiological safety class: Exempt group.

Luminous flux maintenance 70%: 25.000h (L70B50).

recessed Ø 205/215mm

09: EM 1h

0957: EM 3h



Code	Gear	Kg	Lumen Output-K-CRI	WTot	Colour
22169110-00	CLD CELL	0.60	LED-1800lm-4000K-CRI 80	18 W	WHITE
22169111-00	CLD CELL	0.56	LED-1674lm-3000K-CRI 80	18 W	WHITE
22169110-09	CLD CELL-E	1.02	LED-1800lm-4000K-CRI 80	18 W	WHITE
22169111-09	CLD CELL-E	1.06	LED-1674lm-3000K-CRI 80	18 W	WHITE
22169110-0957	CLD CELL-E	1.06	LED-1800lm-4000K-CRI 80	18 W	WHITE
22169111-0957	CLD CELL-E	1.05	LED-1674lm-3000K-CRI 80	18 W	WHITE



Download

DXF 2D
- slimlex22.dxf

Montaggi
- SLIM LEX 1-2-3 rev6.pdf

The reported luminous flux is the flux emitted by the light source with a tolerance of $\pm 10\%$ compared to the indicated value. The W tot column indicates the total wattage absorbed by the system without exceeding 10% of the indicated