

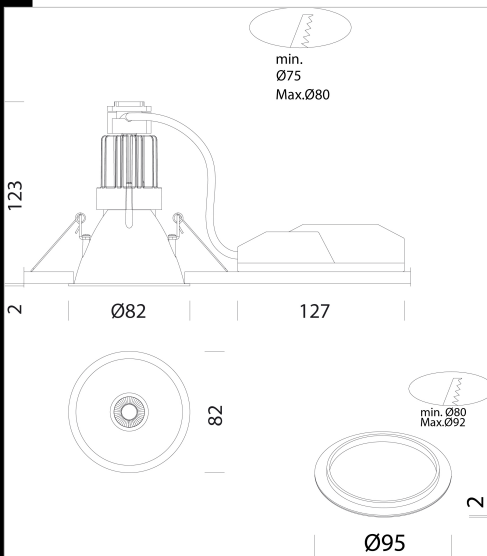
iSpot Comfort 1

Housing: made of die-cast aluminium equipped with finishing ring. Reflector: polycarbonate. Standards: manufactured pursuant to EN 60598-1-CEI 34.21 and with a degree of protection pursuant to EN 60529. LED: Luminous flux maintenance 80%: 50.000h (L80B20).

Power factor >0.9

Photobiological safety class: exempt group EN62471.

High light output (CRI 92) is guaranteed by specific anti-glare optics UGR>19. Universally applicable, suitable to replace downlights with cut out diameters ranging from 75mm to 80mm. The supplied ring can act as both an aesthetic finishing and to cover fitting holes with greater diameters from 80mm to 92mm.



Code	Gear	Kg	Lumen Output-K-CRI	WTot	Colour
22167811-00	CLD	0,23	LED COB-900lm-3000K-38°-CRI 92	11 W	WHITE
22167810-00	CLD	0,23	LED COB-920lm-4000K-38°-CRI 92	11 W	WHITE
22167811-12	CLD-D	0,28	LED COB-900lm-3000K-38°-CRI 92	11 W	WHITE
22167810-12	CLD-D	0,28	LED COB-920lm-4000K-38°-CRI 92	11 W	WHITE
22167811-1241	CLD-D-D	0,26	LED COB-900lm-3000K-38°-CRI 92	11 W	WHITE
22167810-1241	CLD-D-D	0,28	LED COB-920lm-4000K-38°-CRI 92	11 W	WHITE

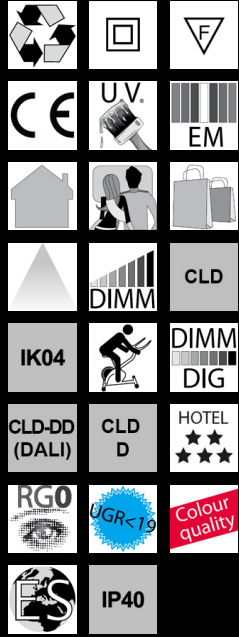
Accessori



- EM Kit R



- Protective grig



Download

DXF 2D
- 167810.dxf

Montaggi
- MINISQUARE-ISPOTCOMFORT
rev2.pdf

The reported luminous flux is the flux emitted by the light source with a tolerance of $\pm 10\%$ compared to the indicated value. The W tot column indicates the total wattage absorbed by the system without exceeding 10% of the indicated