



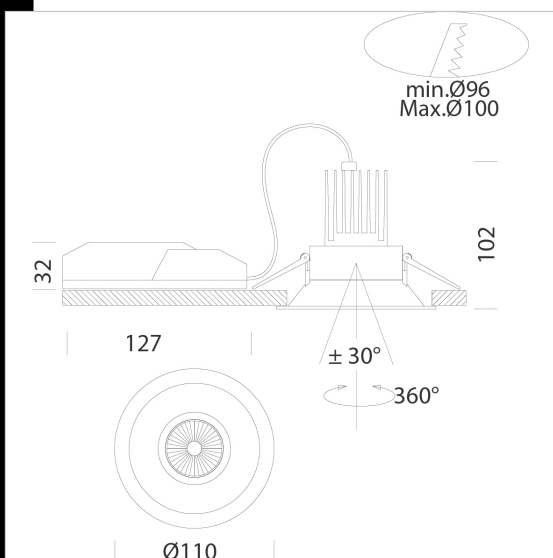
iSpot Architectural 2

Housing: Die-cast aluminium
 Lens: in PMMA with high efficiency output and very low glare rate.
 Regulations: Produced according to applicable EN60598 - CEI 34 - 21 standards, degree of protection according to EN 60529 standards
 Power factor: ≥ 0.9
 Luminous flux maintenance 80%: 50.000h (L80B20).
 Photobiological safety class: exempt group EN62471.
 recessed $\varnothing 96/100$ mm

Download

DXF 2D
 - ispota22.dxf

Montaggi
 - ISPOT_ARCHITECTURAL_1-2
 REV1.pdf



Code	Gear	Kg	Lumen Output-K-CRI	WTot	Colour
22167410-00	CLD	0,41	LED COB-957lm-3000K-60°-CRI 92	10 W	WHITE
22167411-00	CLD	0,40	LED COB-990lm-4000K-60°-CRI 92	10 W	WHITE

The reported luminous flux is the flux emitted by the light source with a tolerance of $\pm 10\%$ compared to the indicated value. The W tot column indicates the total wattage absorbed by the system without exceeding 10% of the indicated