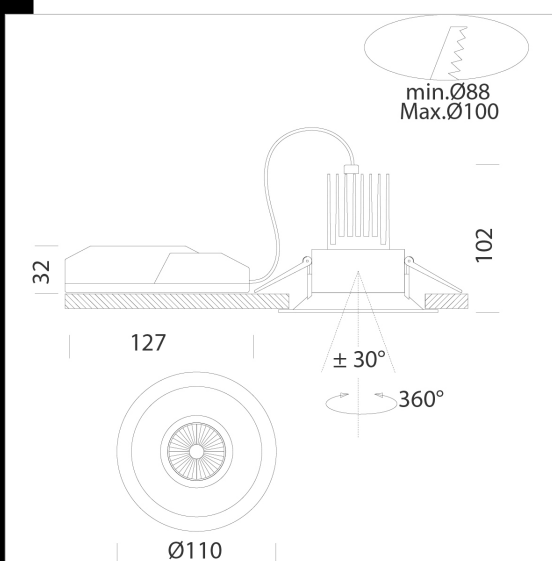
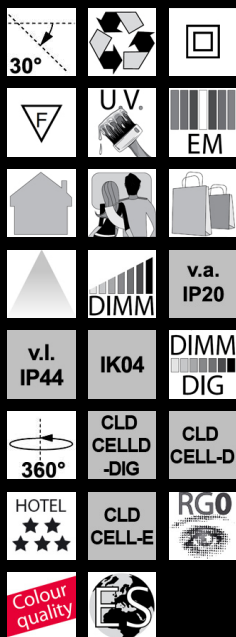


iSpot Architectural 1

Housing: Die-cast aluminium
 Lens: in PMMA with high efficiency output and very low glare rate.
 Regulations: Produced according to applicable EN60598 - CEI 34 - 21 standards, degree of protection according to EN 60529 standards
 Power factor: ≥ 0.9
 Luminous flux maintenance 80%: 50.000h (L80B20).
 Photobiological safety class: exempt group EN62471.
 recessed $\varnothing 88/100$ mm



Code	Gear	Kg	Lumen Output-K-CRI	WTot	Colour
22167310-00	CLD CELL-DI	0,42	LED COB-957lm-3000K-60°-CRI 92	10 W	BIANCO
22167311-00	CLD CELL-DI	0,43	LED COB-990lm-4000K-60°-CRI 92	10 W	BIANCO
22167310-1241	CLD CELL-D-D	0,39	LED COB-957lm-3000K-60°-CRI 92	10 W	BIANCO
22167311-1241	CLD CELL-D-D	0,38	LED COB-990lm-4000K-60°-CRI 92	12 W	BIANCO
22167310-09	CLD CELL-DI-E	0,76	LED COB-957lm-3000K-60°-CRI 92	10 W	BIANCO
22167311-09	CLD CELL-DI-E	0,74	LED COB-990lm-4000K-60°-CRI 92	10 W	BIANCO
22167310-31	CLD CELL-DI-E	0,85	LED COB-957lm-3000K-60°-CRI 92	10 W	BIANCO
22167311-31	CLD CELL-DI-E	0,85	LED COB-990lm-4000K-60°-CRI 92	10 W	BIANCO



Download

DXF 2D
 - ispota11.dxf

Montaggi
 - ISPOT_ARCHITECTURAL_1-2
 REV1.pdf

The reported luminous flux is the flux emitted by the light source with a tolerance of $\pm 10\%$ compared to the indicated value. The W tot column indicates the total wattage absorbed by the system without exceeding 10% of the indicated