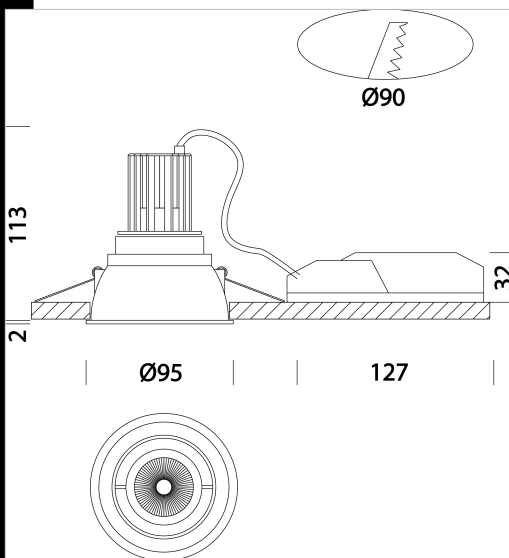


## iSpot Tech 1 - DIMM

Housing: Die-cast aluminium  
 Reflector: In metalized polycarbonate to high rendering.  
 Regulations: Produced according to applicable EN60598 - CEI 34 - 21 standards, degree of protection according to EN 60529 standards  
 Power factor:  $\geq 0.9$   
 Luminous flux maintenance 80%: 50.000h (L80B20).  
 Photobiological safety class: exempt group EN62471.



Code	Gear	Kg	Lumen Output-K-CRI	WTot	Colour
22167010-00	CLD-DI	0,43	LED COB-870lm-3000K-38°-CRI 92	10 W	WHITE
22167011-00	CLD-DI	0,43	LED COB-900lm-4000K-38°-CRI 92	10 W	WHITE

### Accessori



- fluted screen - iSpotTech



- prismatic glass - iSpotTech



- Protective grig



### Download

DXF 2D  
 - it1.dxf  
 Montaggi  
 - ISPOT TECH REV6.pdf

The reported luminous flux is the flux emitted by the light source with a tolerance of  $\pm 10\%$  compared to the indicated value. The W tot column indicates the total wattage absorbed by the system without exceeding 10% of the indicated