

Velvet 2 - DLM FLEX

This line of products was created to meet the needs of lighting systems used for the decoration of interior spaces that are becoming more demanding every day.

Lighting systems are required to be energy-efficient and flexible in order to define spaces according to different needs, offer striking visual impact, ensure low management costs, and guarantee long service life. Lighting systems should be able to create light effects, accent light and ambient light.

There are many elements of an interior design capable of creating the right ambiance in a store, in an exhibition space and in a home.

Housing: in die cast aluminium with glass

Reflector: dark light optics in high gloss, anti-glare aluminium to optimise light efficiency.

Installation: is equipped with galvanised steel support brackets, with housing for springs for attachment to the false ceilings.

Painting: dust painted, using polyester epoxy paint to withstand UV rays.

Standard supply: Includes adjustable steel bracket.

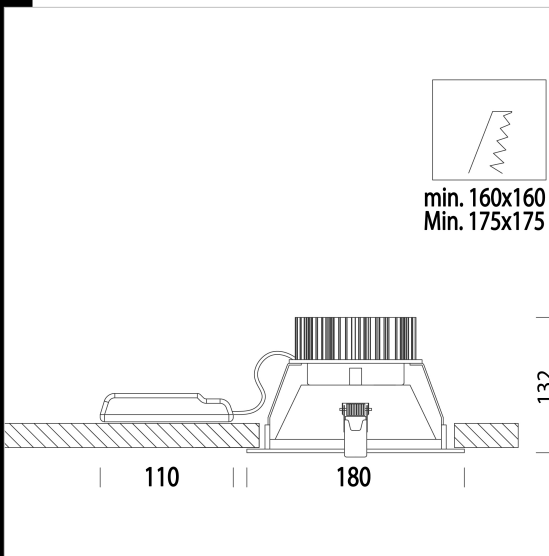
Regulations: Manufactured in accordance with standards EN60598 – CEI 34 –21. Degree of protection in accordance with standards EN60529.

Power factor: 0.9

Photobiological safety class: Exempt group.

Luminous flux maintenance 80%: 60.000h (L80B20).

recessed Ø 160/175mm



Code	Gear	Kg	Lumen Output-K-CRI	WTot	Colour
22160215-00	CLD CELL	0.97	LED DLM FLEX 3000-2701lm-3000K-70°-CRI 80	27 W	WHITE
22160217-00	CLD CELL	0.97	LED DLM FLEX 3000-2772lm-4000K-70°-CRI 80	27 W	WHITE
22160215-1241	CLD CELL-D-D	1.06	LED DLM FLEX 3000-2701lm-3000K-70°-CRI 80	27 W	WHITE
22160217-1241	CLD CELL-D-D	1.00	LED DLM FLEX 3000-2772lm-4000K-70°-CRI 80	27 W	WHITE
22160215-09	CLD CELL-E	1.00	LED DLM FLEX 3000-2701lm-3000K-70°-CRI 80	27 W	WHITE
22160217-09	CLD CELL-E	1.00	LED DLM FLEX 3000-2772lm-4000K-70°-CRI 80	27 W	WHITE
22160215-31	CLD CELL-E	1.00	LED DLM FLEX 3000-2701lm-3000K-70°-CRI 80	27 W	WHITE
22160217-31	CLD CELL-E	1.00	LED DLM FLEX 3000-2772lm-4000K-70°-CRI 80	27 W	WHITE
22160216-00	CLD CELL	0.98	LED DLM FLEX 4000-3519lm-3000K-70°-CRI 80	41 W	WHITE
22160218-00	CLD CELL	0.98	LED DLM FLEX 4000-3796lm-4000K-70°-CRI 80	42 W	WHITE
22160216-1241	CLD CELL-D-D	1.00	LED DLM FLEX 4000-3519lm-3000K-70°-CRI 80	42 W	WHITE
22160218-1241	CLD CELL-D-D	1.00	LED DLM FLEX 4000-3796lm-4000K-70°-CRI 80	43 W	WHITE
22160216-09	CLD CELL-E	1.00	LED DLM FLEX 4000-3519lm-3000K-70°-CRI 80	42 W	WHITE
22160218-09	CLD CELL-E	1.00	LED DLM FLEX 4000-3796lm-4000K-70°-CRI 80	42 W	WHITE
22160216-31	CLD CELL-E	1.00	LED DLM FLEX 4000-3519lm-3000K-70°-CRI 80	42 W	WHITE
22160218-31	CLD CELL-E	1.00	LED DLM FLEX 4000-3796lm-4000K-70°-CRI 80	42 W	WHITE



Download

DXF 2D
- velvet22.dxf

Montaggi
- VELVET rev13.pdf

BIM
- Velvet 2 - DLM FLEX - 20200224.zip

The reported luminous flux is the flux emitted by the light source with a tolerance of $\pm 10\%$ compared to the indicated value. The W tot column indicates the total wattage absorbed by the system without exceeding 10% of the indicated