



Office 1 Matt - led bulb

A family of fixtures designed to combine high energy saving with excellent light quality, to address diverse needs concerning both safety and maintenance. The fixture's design is extremely clean and functional. Manufactured in accordance with standards EN12464 for VDT

Housing: Vandal-resistant, V2 self-extinguishing, UV-stabilized, anti-yellowing polycarbonate.

Reflector: V2 self-extinguishing polycarbonate; aluminium matt coated through a C.V.D. hard-vacuum process for greater light control and efficiency.

Equipment: Includes stainless steel springs ensuring perfect adherence to 1 to 20 mm. thick false ceilings

Regulations: Manufactured in accordance with standards EN60598 – CEI 34 –21. Degree of protection in accordance with standards EN60529.

LED: high-efficiency light sources 6000lm - 73W - 4000K - CRI90

Power factor: >0,95

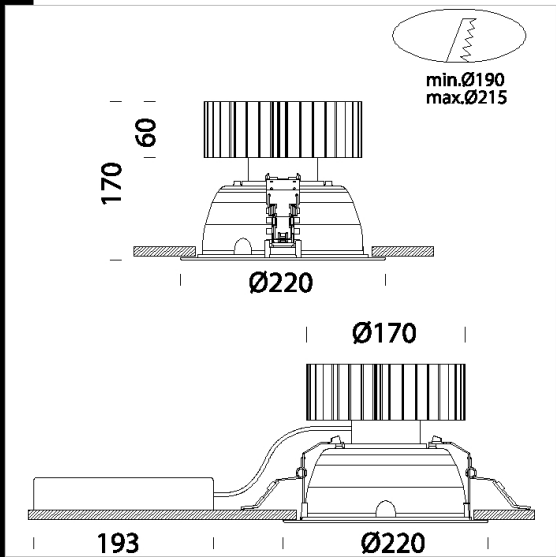
Luminous flux maintenance 70% 50000h (L70B50)

Photobiological safety class: exempt group EN62471.

Download

DXF 2D
- officetotalw.dxf

Montaggi
- office1.pdf



Code	Gear	Kg	Watt	Base	Lamps	Colour
22153019-00	CLD CELL	2,46	LED BULB 73W	-	6000lm-4000K-CRI 90	SILVER

Accessori



- Diffuser - office 1



- Diffuser - office 1



- Presence and light sensor



- - office 1



- Diffuser - office 1



- Diffuser - office 1



- Diffuser - office 1