

Download

Montaggi
- OFFICE 2 LED rev6.pdf

BIM
- Office 2 Total white - 20200714.zip

Office 2 Total white

A family of fixtures designed to combine high energy saving with excellent light quality, to address diverse needs concerning both safety and maintenance. The fixture's design is extremely clean and functional. Manufactured in accordance with standards EN12464 for VDT

Housing: Vandal-resistant, V2 self-extinguishing, UV-stabilized, anti-yellowing polycarbonate.

Reflector: V2 self-extinguishing polycarbonate;

Equipment: Includes stainless steel springs ensuring perfect adherence to 1 to 20 mm. thick false ceilings

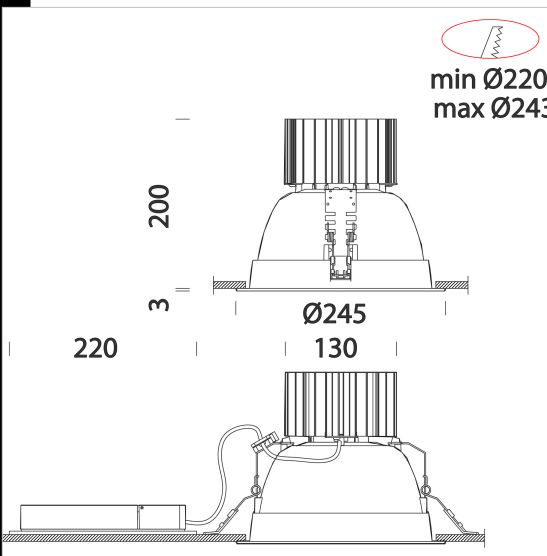
Regulations: Manufactured in accordance with standards EN60598 – CEI 34 –21. Degree of protection in accordance with standards EN60529.

LED: high-efficiency light sources DIMM 1/10V o DALI

Power factor: >0,95

Luminous flux maintenance 80%: 50.000h (L80B20).

Photobiological safety class: exempt group EN62471.



Code	Gear	Kg	Lumen Output-K-CRI	WTot	Colour
22152610-00	CLD	1,03	LED COB-2757lm-3000K-CRI>90	25 W	WHITE
22152610-1241	CLD-D-D	1,35	LED COB-2757lm-3000K-CRI>90	25 W	WHITE
22152611-00	CLD	1,03	LED COB-4278lm-3000K-CRI>90	38 W	WHITE
22152611-1241	CLD-D-D	1,06	LED COB-4278lm-3000K-CRI>90	38 W	WHITE
22152612-00	CLD	1,16	LED COB-2767lm-3500K-CRI>90	35 W	WHITE
22152613-00	CLD	1,02	LED COB-2757lm-3000K-CRI>90	25 W	WHITE
22152614-00	CLD	1,03	LED COB-3594lm-3000K-CRI>90	34 W	WHITE
22152615-00	CLD	1,55	LED COB-6386lm-4000K-CRI>90	69 W	WHITE

Accessori



- Louvre Office 2 - clear



- Louvre Office 2 - Opal



- Diffuser - Office 2



- Diffuser - office 2



- Diffuser - office 2



- Presence and light sensor



- EM Kit R

The reported luminous flux is the flux emitted by the light source with a tolerance of ± 10% compared to the indicated value. The W tot column indicates the total wattage absorbed by the system without exceeding 10% of the indicated