

Office 2 Dark - UGR<19

A family of fixtures designed to combine high energy saving with excellent light quality, to address diverse needs concerning both safety and maintenance. The fixture's design is extremely clean and functional. Manufactured in accordance with standards EN12464 for VDT

Housing: Vandal-resistant, V2 self-extinguishing, UV-stabilized, anti-yellowing polycarbonate.

Reflector: V2 self-extinguishing polycarbonate; aluminium powder coated through a C.V.D. hard-vacuum process for greater light control and efficiency.

Equipment: Includes stainless steel springs ensuring perfect adherence to 1 to 40 mm. thick false ceilings

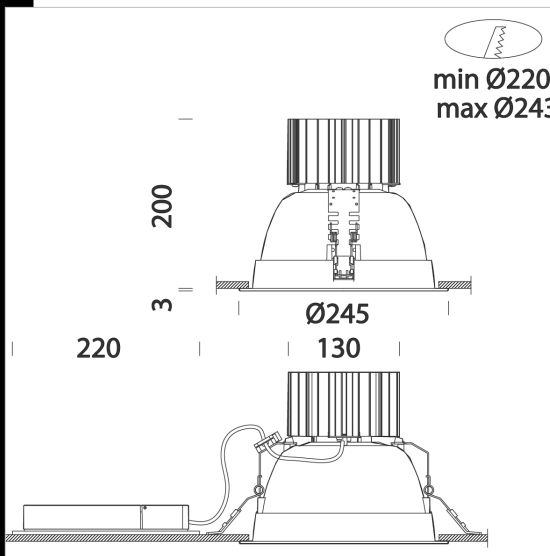
Regulations: Manufactured in accordance with standards EN60598 – CEI 34 –21. Degree of protection in accordance with standards EN60529.

LED: high-efficiency light sources DIMM 1/10V o DALI

Power factor: >0,95

Luminous flux maintenance 80%: 50.000h (L80B20).

Photobiological safety class: exempt group EN62471.



Download

DXF 2D
- off2dark2.dxf

Montaggi
- OFFICE 2 LED rev6.pdf

BIM
- Office 2 Dark - UGR19 - 20200714.zip

Code	Gear	Kg	Lumen Output-K-CRI	WTot	Colour
22152576-00	CLD CELL	0,94	LED COB-1950lm-4000K-CRI 92	19 W	SILVER
22152572-00	CLD CELL	1,35	LED COB-2392lm-4000K-CRI 92	25 W	SILVER
22152573-00	CLD CELL	1,35	LED COB-3835lm-4000K-CRI 92	39 W	SILVER
22152570-00	CLD CELL	1,03	LED COB-2392lm-4000K-CRI 92	25 W	SILVER
22152571-00	CLD CELL	1,15	LED COB-3345lm-4000K-CRI 92	34 W	SILVER
22152574-00	CLD CELL	1,15	LED COB-4028lm-4000K-CRI 92	39 W	SILVER
22152575-00	CLD CELL	1,60	LED COB-5082lm-4000K-CRI 92	54 W	SILVER
22152811-00	CLD CELL	2,30	LED COB-6062lm-4000K-CRI 92	69 W	SILVER
22152576-39	CLD CELL	1,01	LED COB-1813lm-3000K-CRI 92	19 W	SILVER
22152572-39	CLD CELL	1,07	LED COB-2225lm-3000K-CRI 92	26 W	SILVER
22152573-39	CLD CELL	0,97	LED COB-3567lm-3000K-CRI 92	39 W	SILVER
22152570-39	CLD CELL	1,10	LED COB-2225lm-3000K-CRI 92	25 W	SILVER
22152571-39	CLD CELL	1,15	LED COB-3111lm-3000K-CRI 92	34 W	SILVER
22152574-39	CLD CELL	0,94	LED COB-3746lm-3000K-CRI 92	39 W	SILVER
22152575-39	CLD CELL	1,32	LED COB-4726lm-3000K-CRI 92	54 W	SILVER
22152811-39	CLD CELL	1,57	LED COB-5638lm-3000K-CRI 92	67 W	SILVER
22152576-1241	CLD CELL-D-D	1,22	LED COB-1950lm-4000K-CRI 92	19 W	SILVER
22152572-1241	CLD CELL-D-D	1,35	LED COB-2392lm-4000K-CRI 92	25 W	SILVER
22152573-1241	CLD CELL-D-D	1,55	LED COB-3835lm-4000K-CRI 92	39 W	SILVER
22152570-1241	CLD CELL-D-D	1,19	LED COB-2392lm-4000K-CRI 92	25 W	SILVER
22152571-1241	CLD CELL-D-D	1,35	LED COB-3345lm-4000K-CRI 92	32 W	SILVER
22152574-1241	CLD CELL-D-D	1,50	LED COB-4028lm-4000K-CRI 92	39 W	SILVER
22152575-1241	CLD CELL-D-D	1,60	LED COB-5082lm-4000K-CRI 92	53 W	SILVER
22152811-1241	CLD CELL-D-D	1,56	LED COB-6062lm-4000K-CRI 92	69 W	SILVER
22152576-3941	CLD CELL-D-D	1,19	LED COB-1813lm-3000K-CRI 92	19 W	SILVER
22152572-3941	CLD CELL-D-D	1,35	LED COB-2225lm-3000K-CRI 92	25 W	SILVER
22152573-3941	CLD CELL-D-D	1,06	LED COB-3567lm-3000K-CRI 92	40 W	SILVER
22152570-3941	CLD CELL-D-D	1,19	LED COB-2225lm-3000K-CRI 92	25 W	SILVER
22152571-3941	CLD CELL-D-D	1,20	LED COB-3111lm-3000K-CRI 92	33 W	SILVER
22152574-3941	CLD CELL-D-D	1,50	LED COB-3746lm-3000K-CRI 92	39 W	SILVER
22152575-3941	CLD CELL-D-D	1,60	LED COB-4726lm-3000K-CRI 92	53 W	SILVER
22152811-3941	CLD CELL-D-D	1,48	LED COB-5638lm-3000K-CRI 92	69 W	SILVER

The reported luminous flux is the flux emitted by the light source with a tolerance of ± 10% compared to the indicated value. The W tot column indicates the total wattage absorbed by the system without exceeding 10% of the indicated

Office 2 Dark - UGR<19

Code	Gear	Kg	Lumen Output-K-CRI	WTot	Colour
22152576-09	CLD CELL-E	1,59	LED COB-1950lm-4000K-CRI 92	19 W	SILVER
22152572-09	CLD CELL-E	1,60	LED COB-2392lm-4000K-CRI 92	25 W	SILVER
22152573-09	CLD CELL-E	1,80	LED COB-3835lm-4000K-CRI 92	40 W	SILVER
22152570-09	CLD CELL-E	1,50	LED COB-2392lm-4000K-CRI 92	25 W	SILVER
22152571-09	CLD CELL-E	1,75	LED COB-3345lm-4000K-CRI 92	34 W	SILVER
22152574-09	CLD CELL-E	1,50	LED COB-4028lm-4000K-CRI 92	40 W	SILVER
22152575-09	CLD CELL-E	1,60	LED COB-5082lm-4000K-CRI 92	54 W	SILVER
22152811-09	CLD CELL-E	2,04	LED COB-6062lm-4000K-CRI 92	69 W	SILVER
22152576-0928	CLD CELL-E	1,59	LED COB-1813lm-3000K-CRI 92	19 W	SILVER
22152573-0928	CLD CELL-E	1,80	LED COB-3567lm-3000K-CRI 92	40 W	SILVER
22152572-0928	CLD CELL-E	1,45	LED COB-2225lm-3000K-CRI 92	25 W	SILVER
22152570-0928	CLD CELL-E	1,48	LED COB-2225lm-3000K-CRI 92	25 W	SILVER
22152571-0928	CLD CELL-E	1,75	LED COB-3111lm-3000K-CRI 92	34 W	SILVER
22152574-0928	CLD CELL-E	1,40	LED COB-3746lm-3000K-CRI 92	39 W	SILVER
22152575-0928	CLD CELL-E	1,60	LED COB-4726lm-3000K-CRI 92	54 W	SILVER
22152811-0928	CLD CELL-E	2,04	LED COB-5638lm-3000K-CRI 92	69 W	SILVER
22152576-31	CLD CELL-E	1,60	LED COB-1950lm-4000K-CRI 92	20 W	SILVER
22152572-31	CLD CELL-E	1,60	LED COB-2392lm-4000K-CRI 92	27 W	SILVER
22152573-31	CLD CELL-E	1,60	LED COB-3835lm-4000K-CRI 92	40 W	SILVER
22152570-31	CLD CELL-E	1,60	LED COB-2392lm-4000K-CRI 92	27 W	SILVER
22152571-31	CLD CELL-E	1,80	LED COB-3345lm-4000K-CRI 92	39 W	SILVER
22152574-31	CLD CELL-E	1,80	LED COB-4028lm-4000K-CRI 92	39 W	SILVER
22152575-31	CLD CELL-E	1,80	LED COB-5082lm-4000K-CRI 92	54 W	SILVER
22152811-31	CLD CELL-E	1,80	LED COB-6062lm-4000K-CRI 92	69 W	SILVER
22152576-3957	CLD CELL-E	1,60	LED COB-1813lm-3000K-CRI 92	20 W	SILVER
22152572-3957	CLD CELL-E	1,60	LED COB-2225lm-3000K-CRI 92	27 W	SILVER
22152573-3957	CLD CELL-E	1,60	LED COB-3567lm-3000K-CRI 92	40 W	SILVER
22152570-3957	CLD CELL-E	1,60	LED COB-2225lm-3000K-CRI 92	27 W	SILVER
22152571-3957	CLD CELL-E	1,60	LED COB-3111lm-3000K-CRI 92	33 W	SILVER
22152574-3957	CLD CELL-E	1,80	LED COB-3746lm-3000K-CRI 92	39 W	SILVER
22152575-3957	CLD CELL-E	1,80	LED COB-4726lm-3000K-CRI 92	54 W	SILVER
22152811-3957	CLD CELL-E	1,80	LED COB-5638lm-3000K-CRI 92	69 W	SILVER
22152570-0938	CLD CELL-E	1,60	LED COB-2225lm-3000K-CRI 92	27 W	SILVER

Accessori



- Louvre Office 2/3/4/6/9 - clear



- Louvre Office 2/3/4/6/9 - Opal



- Diffuser - Office 2/3/4/6/9



- Diffuser - office 2/3/4/6/9



- Diffuser - office 2/3/4/6/9



- Presence and light sensor

The reported luminous flux is the flux emitted by the light source with a tolerance of $\pm 10\%$ compared to the indicated value. The W tot column indicates the total wattage absorbed by the system without exceeding 10% of the indicated