



## Office 2 Dark - UGR<19

A family of fixtures designed to combine high energy saving with excellent light quality, to address diverse needs concerning both safety and maintenance. The fixture's design is extremely clean and functional. Manufactured in accordance with standards EN12464 for VDT

Housing: Vandal-resistant, V2 self-extinguishing, UV-stabilized, anti-yellowing polycarbonate.

Reflector: V2 self-extinguishing polycarbonate; aluminium powder coated through a C.V.D. hard-vacuum process for greater light control and efficiency.

Equipment: Includes stainless steel springs ensuring perfect adherence to 1 to 40 mm. thick false ceilings

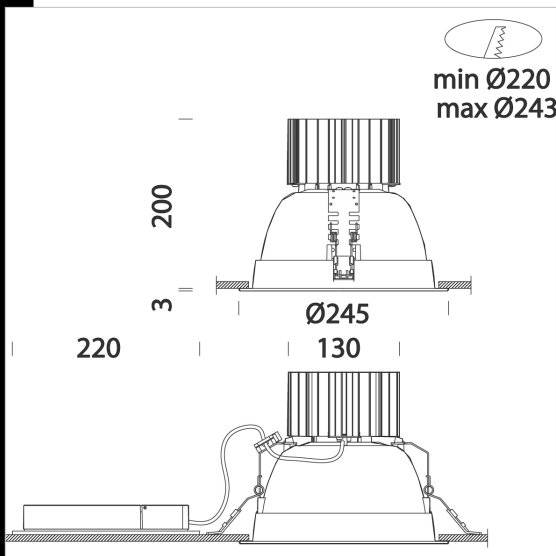
Regulations: Manufactured in accordance with standards EN60598 - CEI 34 -21. Degree of protection in accordance with standards EN60529.

LED: high-efficiency light sources DIMM 1/10V o DALI

Power factor: >0,95

Luminous flux maintenance 80%: 50.000h (L80B20).

Photobiological safety class: exempt group EN62471.



### Download

DXF 2D  
- off2dark2.dxf

Montaggi  
- OFFICE 2 LED rev6.pdf

BIM  
- Office 2 Dark - UGR19 - 20200714.zip

The reported luminous flux is the flux emitted by the light source with a tolerance of ± 10% compared to the indicated value. The W tot column indicates the total wattage absorbed by the system without exceeding 10% of the indicated

Code	Gear	Kg	Lumen Output-K-CRI	WTot	Colour
22152576-00	CLD	0,94	LED COB-2009lm-4000K-CRI>90	18 W	SILVER
22152572-00	CLD	1,35	LED COB-2464lm-4000K-CRI>90	25 W	SILVER
22152573-00	CLD	1,35	LED COB-3950lm-4000K-CRI>90	38 W	SILVER
22152570-00	CLD	1,03	LED COB-2464lm-4000K-CRI>90	25 W	SILVER
22152571-00	CLD	1,15	LED COB-3345lm-4000K-CRI>90	34 W	SILVER
22152574-00	CLD	1,15	LED COB-4149lm-4000K-CRI>90	39 W	SILVER
22152575-00	CLD	1,60	LED COB-5082lm-4000K-CRI>90	54 W	SILVER
22152811-00	CLD	2,30	LED COB-6062lm-4000K-CRI>90	69 W	SILVER
22152576-39	CLD	1,01	LED COB-1867lm-3000K-CRI>90	18 W	SILVER
22152572-39	CLD	1,07	LED COB-2292lm-3000K-CRI>90	25 W	SILVER
22152573-39	CLD	0,97	LED COB-3674lm-3000K-CRI>90	38 W	SILVER
22152570-39	CLD	1,10	LED COB-2292lm-3000K-CRI>90	25 W	SILVER
22152571-39	CLD	0,90	LED COB-3111lm-3000K-CRI>90	34 W	SILVER
22152574-39	CLD	0,94	LED COB-3859lm-3000K-CRI>90	39 W	SILVER
22152575-39	CLD	1,32	LED COB-4726lm-3000K-CRI>90	54 W	SILVER
22152811-39	CLD	1,57	LED COB-5638lm-3000K-CRI>90	67 W	SILVER
22152576-1241	CLD-D-D	1,22	LED COB-2009lm-4000K-CRI>90	18 W	SILVER
22152572-1241	CLD-D-D	1,35	LED COB-2464lm-4000K-CRI>90	25 W	SILVER
22152573-1241	CLD-D-D	1,55	LED COB-3950lm-4000K-CRI>90	38 W	SILVER
22152570-1241	CLD-D-D	1,19	LED COB-2464lm-4000K-CRI>90	25 W	SILVER
22152571-1241	CLD-D-D	1,35	LED COB-3345lm-4000K-CRI>90	32 W	SILVER
22152574-1241	CLD-D-D	1,50	LED COB-4149lm-4000K-CRI>90	39 W	SILVER
22152575-1241	CLD-D-D	1,60	LED COB-5082lm-4000K-CRI>90	53 W	SILVER
22152811-1241	CLD-D-D	1,56	LED COB-6062lm-4000K-CRI>90	69 W	SILVER
22152576-3941	CLD-D-D	1,19	LED COB-1867lm-3000K-CRI>90	18 W	SILVER
22152572-3941	CLD-D-D	1,35	LED COB-2292lm-3000K-CRI>90	25 W	SILVER
22152573-3941	CLD-D-D	1,06	LED COB-3674lm-3000K-CRI>90	38 W	SILVER
22152570-3941	CLD-D-D	1,19	LED COB-2292lm-3000K-CRI>90	25 W	SILVER
22152571-3941	CLD-D-D	1,20	LED COB-3111lm-3000K-CRI>90	33 W	SILVER
22152574-3941	CLD-D-D	1,50	LED COB-3859lm-3000K-CRI>90	39 W	SILVER
22152575-3941	CLD-D-D	1,60	LED COB-4726lm-3000K-CRI>90	53 W	SILVER
22152811-3941	CLD-D-D	1,48	LED COB-5638lm-3000K-CRI>90	69 W	SILVER

## Accessori



- Louvre Office 2 - clear



- Louvre Office 2 - Opal



- Diffuser - office 2



- Diffuser - office 2



- Presence and light sensor



- EM Kit R

The reported luminous flux is the flux emitted by the light source with a tolerance of  $\pm 10\%$  compared to the indicated value. The W tot column indicates the total wattage absorbed by the system without exceeding 10% of the indicated