

Office 2 Matt - UGR<19 white rim



A family of fixtures designed to combine high energy saving with excellent light quality, to address diverse needs concerning both safety and maintenance. The fixture's design is extremely clean and functional. Manufactured in accordance with standards EN12464 for VDT

Housing: Vandal-resistant, V2 self-extinguishing, UV-stabilized, anti-yellowing polycarbonate.

Reflector: V2 self-extinguishing polycarbonate; aluminium powder coated through a C.V.D. hard-vacuum process for greater light control and efficiency.

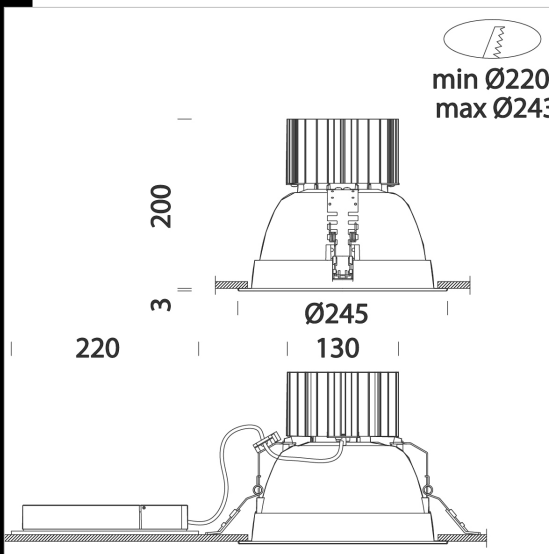
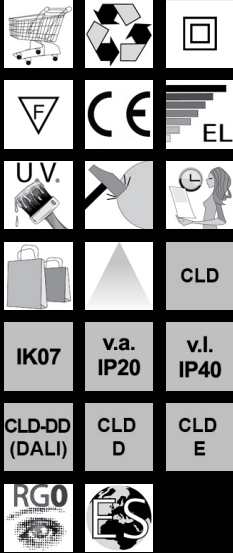
Equipment: Includes stainless steel springs ensuring perfect adherence to 1 to 40 mm. thick false ceilings

Regulations: Manufactured in accordance with standards EN60598 – CEI 34 –21. Degree of protection in accordance with standards EN60529.

Power factor: >0,95

Luminous flux maintenance 80%: 50.000h (L80B20).

Photobiological safety class: exempt group EN62471.



Download

DXF 2D
- off2matt2.dxf

Montaggi
- OFFICE 2 LED rev6.pdf

BIM
- Office 2 Matt - white rim - 20200714.zip

Code	Gear	Kg	Lumen Output-K-CRI	WTot	Colour
22152518-00	CLD	1.50	LED COB-3989lm-4000K-CRI>90	34 W	WHITE
22152518-39	CLD	1.50	LED COB-3710lm-3000K-CRI>90	34 W	WHITE
22152518-1241	CLD-D-D	1.06	LED COB-3989lm-4000K-CRI>90	34 W	WHITE
22152518-3941	CLD CEL-D-D	1.50	LED COB-3710lm-3000K-CRI>90	34 W	WHITE

Accessories



- Louvre Office 2 - clear



- Louvre Office 2 - Opal



- Diffuser - Office 2



- Diffuser - office 2



- Diffuser - office 2



- Presence and light sensor



- EM Kit R

The reported luminous flux is the flux emitted by the light source with a tolerance of ± 10% compared to the indicated value. The W tot column indicates the total wattage absorbed by the system without exceeding 10% of the indicated