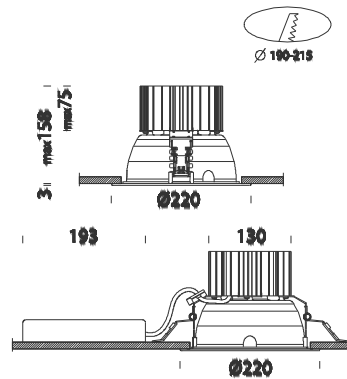


Office 1 Matt - IP44



Code	Gear	Kg	Colour	Dimensions	W Tot	lamp
22152419-00	CLD CELL	1.10	Glazed	0x0x145 Ø220	35	LED COB-4900lm-4000K-CRI 80
22152418-00	CLD CELL	1.10	Glazed	0x0x145 Ø220	35	LED COB-4800lm-3000K-CRI 80

A family of fixtures designed to combine high energy saving with excellent light quality, to address diverse needs concerning both safety and maintenance. The fixture's design is extremely clean and functional. Manufactured in accordance with standards EN12464 for VDT

Housing: Vandal-resistant, V2 self-extinguishing, UV-stabilized, anti-yellowing polycarbonate.

Reflector: V2 self-extinguishing polycarbonate; aluminium matt coated through a C.V.D. hard-vacuum process for greater light control and efficiency.

Diffuser: in polycarbonate anti-glare

Equipment: Includes stainless steel springs ensuring perfect adherence to 1 to 20 mm. thick false ceilings

Regulations: Manufactured in accordance with standards EN60598 - CEI 34 -21. Degree of protection in accordance with standards EN60529.

LED: high-efficiency light sources 4800lm - 3000/4000K - 35W - CRI80

Power factor: >0,95

Luminous flux maintenance 70% 50000h (L70B50)

Photobiological safety class: exempt group EN62471.