



## Office 5 - 65° IP44

A family of fixtures designed to combine high energy saving with excellent light quality, to address diverse needs concerning both safety and maintenance. The fixture's design is extremely clean and functional. Manufactured in accordance with standards EN12464 for VDT

Housing: Vandal-resistant, V2 self-extinguishing, UV-stabilized, anti-yellowing polycarbonate.

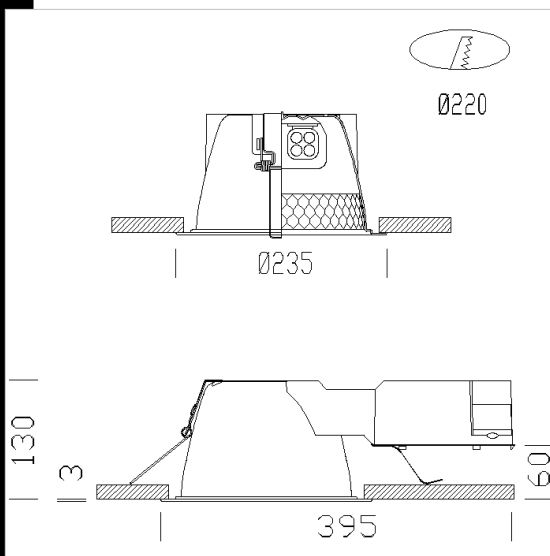
Reflector: V2 self-extinguishing polycarbonate; aluminium powder coated through a C.V.D. hard-vacuum process for greater light control and efficiency.

Lampholder: Polycarbonate with phosphor bronze contacts.

Electric gear: 230V/50Hz power supply. Hard wire, 0.50 sqmm cross section and heat-resistant (90°C) PVC-HT sheath, in accordance with CEI 20-20 standards. 2P terminal block (maximum allowed lead cross section 2.5 sqmm.)

Equipment: Electric accessories located on the side of the housing in a polycarbonate box with cooling slots. Includes stainless steel springs ensuring perfect adherence to 40mm. thick false ceilings

Regulations: Manufactured in accordance with standards EN60598 – CEI 34 –21. Degree of protection in accordance with standards EN60529.



Code	Gear	Kg	Watt	Base	Lamps	Colour
22152216-94	CELL-D-E	2,50	FLC 2x26D/E	G24q-3	1800lm-3000K-Ra 1b	SILVER
22152211-09	CELL-E	2,51	DLC-D/E 2x13	G24q-1	--	ALUMINIUM
22152216-08	CELL	1,40	FLC 2x26D/E	G24q-3	1800lm-4000K-Ra 1b	SILVER
22152216-1241	CELL-D-D	1,45	FLC 2x26D/E	G24q-3	1800lm-3000K-Ra 1b	SILVER
22152210-00	CNR-L	1,60	FLC 1x26D	G24d-3	1800lm-4000K-Ra 1b	ALUMINIUM
22152210-09	CELL-E	2,51	FLC 1x26D/E	G24q-3	1800lm-4000K-Ra 1b	ALUMINIUM
22152211-08	CELL	1,35	FLC 2x13D/E	G24q-1	900lm-4000k-Ra 1b	ALUMINIUM
22152212-09	CELL-E	2,51	FLC 2x18D/E	G24q-2	--	ALUMINIUM
22152216-09	CELL-E	2,22	FLC 2x26D/E	G24q-3	--	SILVER
22152211-00	CNR-L	2,00	FLC 2x13D	G24d-1	900lm-4000k-Ra 1b	ALUMINIUM
22152216-12	CELL-D	1,40	FLC 2x26D/E	G24q-3	1800lm-3000K-Ra 1b	SILVER
22152212-00	CNR-L	2,00				ALUMINIUM
22152216-9441	CELL-D-D-E	2,15	FLC 2x26D/E	G24q-3	1800lm-4000K-Ra 1b	SILVER
22152210-08	CELL	1,35	FLC 1x26D/E	G24q-3	1800lm-4000K-Ra 1b	ALUMINIUM
22152212-08	CELL	1,40				ALUMINIUM

### Accessori



- Office 2/3/4/5/6 plugin



- Silk-screen printed glass - Office



- Office Protective Cover



- Convex screen - Office



- Coloured office ring