

## Office 4 - 65°

A family of fixtures designed to combine high energy saving with excellent light quality, to address diverse needs concerning both safety and maintenance. The fixture's design is extremely clean and functional. Manufactured in accordance with standards EN12464 for VDT

Housing: Vandal-resistant, V2 self-extinguishing, UV-stabilized, anti-yellowing polycarbonate.

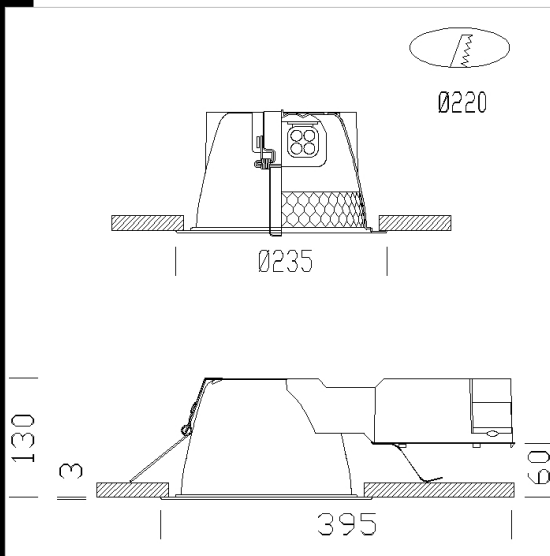
Reflector: V2 self-extinguishing polycarbonate; aluminium powder coated through a C.V.D. hard-vacuum process for greater light control and efficiency.

Lampholder: Polycarbonate with phosphor bronze contacts.

Electric gear: 230V/50Hz power supply. Hard wire, 0.50 sqmm cross section and heat-resistant (90°C) PVC-HT sheath, in accordance with CEI 20-20 standards. 2P terminal block (maximum allowed lead cross section 2.5 sqmm.)

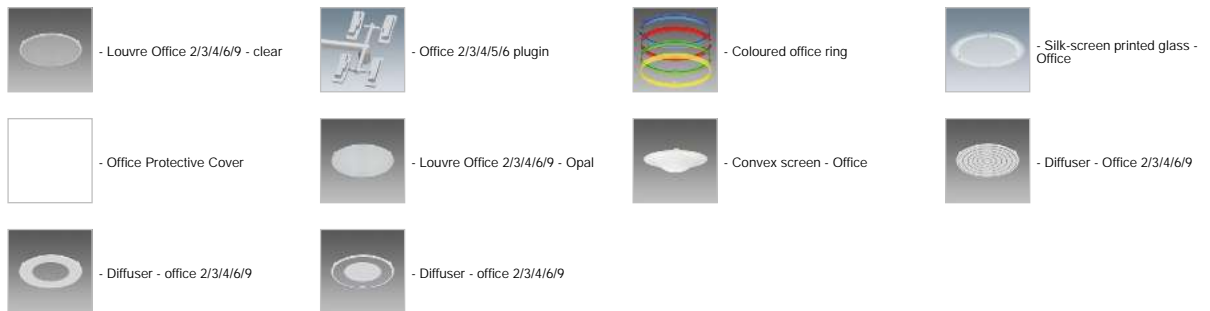
Equipment: Electric accessories located on the side of the housing in a polycarbonate box with cooling slots. Includes stainless steel springs ensuring perfect adherence to 40mm. thick false ceilings

Regulations: Manufactured in accordance with standards EN60598 – CEI 34 –21. Degree of protection in accordance with standards EN60529.



Code	Gear	Kg	Lumen-K-CRI	WTot	Base	Colour
22152033-08	CELL	1.30	FLC 2x26D/E-1800lm-4000K-Ra 1b	49 W	G24q-3	NERO
22152033-12	CELL-D	1.40	FLC 2x26D-D/E-1800lm-4000K-Ra 1b	56 W	G24d-3	NERO
22152033-9441	CELL-D-D-E	2.45	FLC 2x26D/E-1800lm-4000K-Ra 1b	54 W	G24q-3	NERO
22152031-08	CELL	1.30	FLC 2x18D-D/E-1200lm-4000K-Ra 1b	35 W		NERO
22152033-1241	CELL-D-D	1.40	FLC 2x26D-D/E-1800lm-4000K-Ra 1b	54 W	G24d-3	NERO
22152031-09	CELL-E	1.40	FLC 2x18D-D/E-1200lm-4000K-Ra 1b	35 W		NERO
22152033-94	CELL-D-E	2.51	FLC 2x26D-D/E-1800lm-4000K-Ra 1b	56 W	G24d-3	NERO

### Accessories



The reported luminous flux is the flux emitted by the light source with a tolerance of  $\pm 10\%$  compared to the indicated value. The W tot column indicates the total wattage absorbed by the system without exceeding 10% of the indicated