

Download

DXF 2D
- office.dxf

Montaggi
- OFFICE AGG.11-12.pdf

Office 3 - 65°



A family of fixtures designed to combine high energy saving with excellent light quality, to address diverse needs concerning both safety and maintenance. The fixture's design is extremely clean and functional. Manufactured in accordance with standards EN12464 for VDT

Housing: Vandal-resistant, V2 self-extinguishing, UV-stabilized, anti-yellowing polycarbonate.

Reflector: V2 self-extinguishing polycarbonate; aluminium powder coated through a C.V.D. hard-vacuum process for greater light control and efficiency.

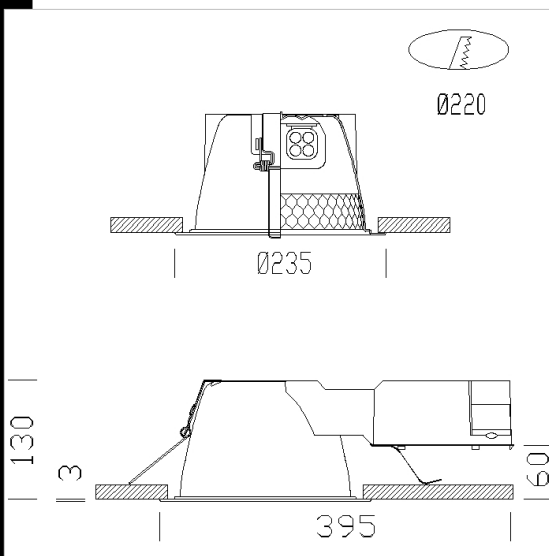
Lampholder: Polycarbonate with phosphor bronze contacts.

Electric gear: 230V/50Hz power supply. Hard wire, 0.50 sqmm cross section and heat-resistant (90°C) PVC-HT sheath, in accordance with CEI 20-20 standards. 2P terminal block (maximum allowed lead cross section 2.5 sqmm.)

Equipment: Electric accessories located on the side of the housing in a polycarbonate box with cooling slots. Includes stainless steel springs ensuring perfect adherence to 40mm. thick false ceilings

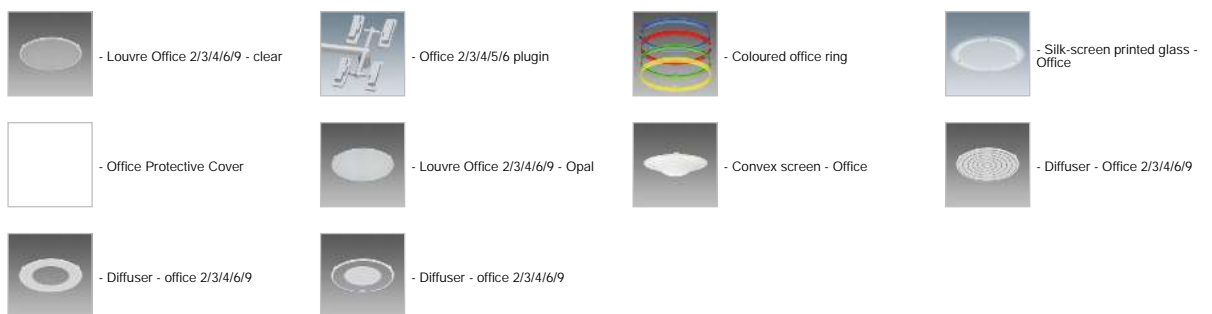
Regulations: Manufactured in accordance with standards EN60598 – CEI 34 –21. Degree of protection in accordance with standards EN60529.

CELL, CELL-E, CELLD-DIG, CELLD-DIG-E versions with double insulation.



Code	Gear	Kg	Lumen-K-CRI	WTot	Base	Colour
22152019-1241	CELL-D-D	1.40	FLC 2x26D-D/E-1800lm-4000K-Ra 1b	54 W	G24d-3	BIANCO
22152019-9441	CELL-D-D-E	2.51	FLC 2x26D/E-1800lm-4000K-Ra 1b	54 W	G24q-3	BIANCO
22152010-08	CELL	1.25	FLC 1x26D/E-1800lm-4000K-Ra 1b	27 W	G24q-3	BIANCO
22152019-09	CELL-E	2.35	FLC 2x26D/E---	49 W	G24q-3	BIANCO
22152018-08	CELL	1.30	FLC 2x18D/E---	35 W	G24q-2	BIANCO
22152014-08	CELL	1.20	FLC 2x13D/E-900lm-4000k-Ra 1b	27 W	G24q-1	BIANCO
22152018-09	CELL-E	2.35	FLC 2x18D/E---	35 W	G24q-2	BIANCO
22152010-09	CELL-E	2.30	FLC 1x26D/E-1800lm-4000K-Ra 1b	27 W	G24q-3	BIANCO
22152014-09	CELL-E	1.40	FLC 2x13D/E---	27 W	G24q-1	BIANCO
22152019-08	CELL	1.30	FLC 2x26D/E-1800lm-4000K-Ra 1b	49 W	G24q-3	BIANCO

Accessories



The reported luminous flux is the flux emitted by the light source with a tolerance of ± 10% compared to the indicated value. The W tot column indicates the total wattage absorbed by the system without exceeding 10% of the indicated