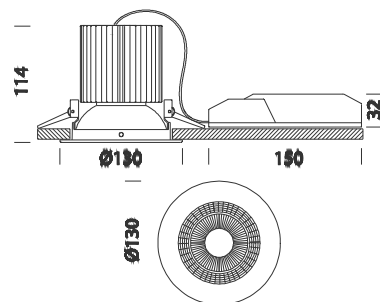


## Self 2 - DIMM



| Code        | Gear       | Kg   | Colour | Dimensions   | W Tot | lamp                                  |
|-------------|------------|------|--------|--------------|-------|---------------------------------------|
| 22118110-00 | CLD CELL-D | 0.60 | white  | 0x0x114 Ø120 | 12    | LED COB 12W-1350lm-3000K - 38°-CRI 90 |
| 22118111-00 | CLD CELL-D | 0.60 | white  | 0x0x114 Ø120 | 12    | LED COB 12W-1350lm-3000K - 60°-CRI 90 |
| 22118112-00 | CLD CELL-D | 0.60 | white  | 0x0x114 Ø120 | 12    | LED COB 12W-1350lm-3000K - 90°-CRI 90 |

Using light as an interior design element Over the past few years, interior lighting design has completely changed the way we decorate our home environments. The primary objective of interior lighting design is to achieve maximum visual comfort that takes on different meanings based on the context in which the lighting fixture is mounted. In the retail sector, from large shopping centres to small shops, lighting is the central element around which the right system should be designed in order to create a pleasant and attractive environment for customers. The great versatility of our new spotlights enhances the merchandise in the best way possible and creates customised lighting systems to make the brand always recognisable. In the hospitality and leisure sector (hotels, bars, restaurants) lighting is equally important to create a customised and well recognisable style. Fosnova, the ideal supplier for any type of customer, offers a wide range of spotlights and other lighting solutions to meet the needs of any type of environment. In homes, together with decorative lamps, recessed spotlights can supplement the lighting system with striking effects that can be controlled with advanced light control systems. The right light in the right place Today, LED can achieve a wide variety of colours and performance levels, returning a product to its true colour. It is however, up to the designer to decide upon the right colour temperature that, in addition to the LED source, can enhance the yellows and reds, or the different shades of light and dark blue. The lighting designer is now aware of the fact that the right selection of the whole system, as well as the fixture's design, the reflector's opening angle, the appropriate colour temperature and CRI value are fundamental to guarantee a store's success and increase sales. The right lighting and fixture play a vital role in facilitating sales. This is the reason why LED fixtures with a CRI above 90 are being requested. Therefore, the current trend is geared towards the manufacturing of more flexible fixtures, which also emit an excellent quality of light, while guaranteeing remarkable energy savings and lower maintenance costs. Fosnova has designed a line of recessed spotlights suited to meet all these needs.

Housing: fixed donwlight in die cast aluminium complete with spring clips for recessed mounting

Reflector: dark light optics in high gloss, anti-glare aluminium to optimise light efficiency.

Installation: Self LED is equipped with galvanised steel support brackets, with housing for springs for attachment to the false ceilings.

Painting: dust painted, using polyester epoxy paint to withstand UV rays.

Standard supply: Includes adjustable steel bracket.

Regulations: Manufactured in accordance with standards EN60598 - CEI 34 -21. Degree of protection in accordance with standards EN60529.

LED: high-efficiency light sources 1350lm - 14W - 3000K - CRI 90 - DIM IGBT

Power factor:  $\geq 0.9$

Photobiological safety class: Exempt group.

Luminous flux maintenance 70%: 50.000h (L70B50).

recessed  $\varnothing$  110/128mm

Version with black or white oxidised smooth optics on request.