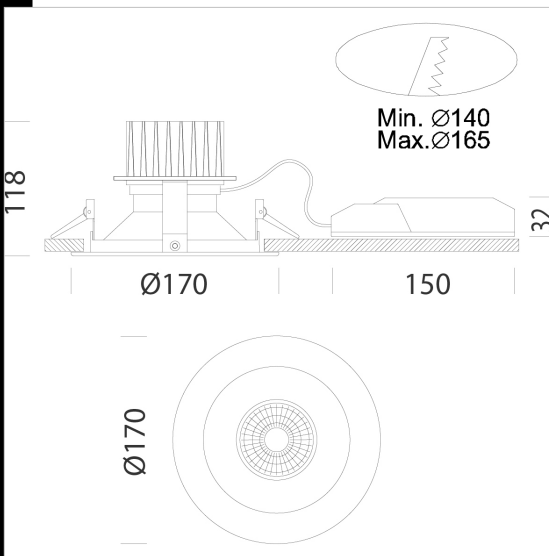


Professional 1 glossy

Housing: in die cast aluminium.
 Reflector: optics in aluminium to optimise light efficiency. Lens: in PMMA with high efficiency output and very low glare rate. Installation: is equipped with galvanised steel support brackets, with housing for springs for attachment to the false ceilings. Coating: dust painted, using polyester epoxy paint to withstand UV rays. Standard supply: Includes adjustable steel bracket. luminous flux maintenance L80B20: 50.000h. Power factor >0.9. Photobiological safety class: Exempt group



Code	Gear	Kg	Lumen Output-K-CRI	WTot	Colour
22117010-00	CLD CELL	0,93	LED COB-3298lm-3000K-60°-CRI 93	32 W	BIANCO
22117011-00	CLD CELL	0,92	LED COB-3471lm-4000K-60°-CRI 93	32 W	BIANCO
22117110-00	CLD CELL	0,93	LED COB-3928lm-3000K-60°-CRI 93	39 W	BIANCO
22117111-00	CLD CELL	0,92	LED COB-3977lm-4000K-60°-CRI 93	39 W	BIANCO

Accessori



- EM Kit R



Download

DXF 2D
 - prof170.dxf
 Montaggi
 - PROFESSIONAL_GLOSSY rev1.pdf

The reported luminous flux is the flux emitted by the light source with a tolerance of $\pm 10\%$ compared to the indicated value. The W tot column indicates the total wattage absorbed by the system without exceeding 10% of the indicated