



## Focus - universal adapter

This version features a particular shape and a design with clean lines that can meet different architectonic lighting needs using high colour rendering LEDs. It is an all-new spotlight, which is entirely adjustable for an extraordinarily effective lighting project that adds value to any space and object

Housing: in die-cast aluminium with anodised heat sink.

Version with reflector: in die-cast polished aluminium, high efficiency and anti-glare.

Coating: UV-resistant acrylic resin powder coating.

Standard: manufactured pursuant to EN 60598-1-CEI 34.21 and with a degree of protection pursuant to EN 60529.

on request: 31° - 52°

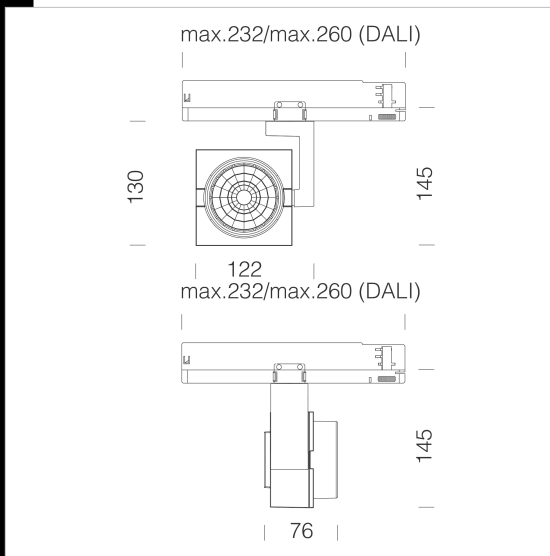
LED: High-efficiency light sources (CRI 92).

Luminous flux maintenance 50.000h (L80B20).

Power factor >0.95

Photobiological safety class: exempt group EN62471.

DALI dimmable version -1241 to be used with OMNITRACK PLUS track-mounted system.



Code	Gear	Kg	Lumen Output-K-CRI	WTot	Colour
22108210-00	CLD	1,40	LED COB-2536lm-3000K-44°-CRI 92	26 W	WHITE
22108230-00	CLD	1,40	LED COB-2536lm-3000K-44°-CRI 92	26 W	BLACK
22108270-00	CLD	1,40	LED COB-2536lm-3000K-44°-CRI 92	26 W	SILVER
22108210-68	CLD	1,40	LED COB-2713lm-4000K-44°-CRI 92	26 W	WHITE
22108230-68	CLD	1,40	LED COB-2713lm-4000K-44°-CRI 92	26 W	BLACK
22108270-68	CLD	1,40	LED COB-2713lm-4000K-44°-CRI 92	26 W	SILVER
22108210-1241	CLD-D-D	1,40	LED COB-2536lm-3000K-44°-CRI 92	26 W	WHITE
22108230-1241	CLD-D-D	1,40	LED COB-2536lm-3000K-44°-CRI 92	26 W	BLACK
22108270-1241	CLD-D-D	1,40	LED COB-2536lm-3000K-44°-CRI 92	26 W	SILVER
22108210-6841	CLD-D-D	1,40	LED COB-2713lm-4000K-44°-CRI 92	26 W	WHITE
22108230-6841	CLD-D-D	1,40	LED COB-2713lm-4000K-44°-CRI 92	26 W	BLACK
22108270-6841	CLD-D-D	1,40	LED COB-2713lm-4000K-44°-CRI 92	26 W	SILVER

The reported luminous flux is the flux emitted by the light source with a tolerance of  $\pm 10\%$  compared to the indicated value. The W tot column indicates the total wattage absorbed by the system without exceeding 10% of the indicated