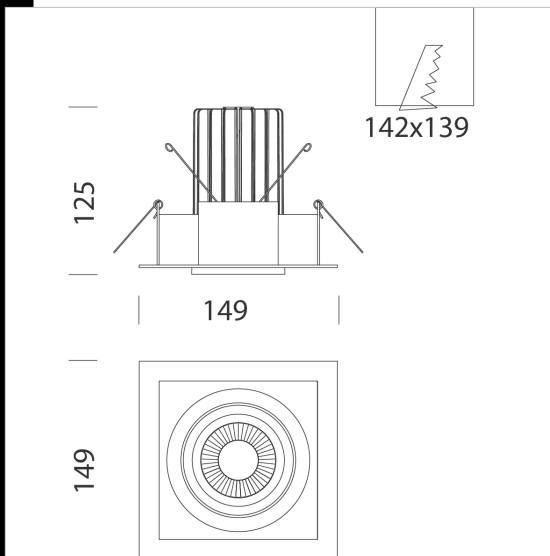


Trimless 70 - B1

Housing: in die-cast aluminium with adjustable and tilting spotlights.
 Equipment: equipped with galvanised steel support brackets which guarantee perfect attachment to suspended ceiling from 12 mm to 25 mm thick.
 Reflector: high-efficiency metallised polycarbonate. Regulations: Manufactured in accordance with standards EN60598 – CEI 34 –21. Degree of protection in accordance with standards EN60529.
 LED: High-efficiency light sources (CRI 90).
 Power factor: ≥ 0.95
 Photobiological safety class: Exempt group.
 Luminous flux maintenance 80%: 50.000h (L80B20).
 recessed $\varnothing 142 \times 139$ mm

Download

DXF 2D
 - trim70b1.dxf
 Montaggi
 - TRIMLESS-B_50-70-111 rev3.pdf



Code	Gear	Kg	Lumen Output-K-CRI	WTot	Colour
22107110-00	CLD	1,30	LED COB-2160lm-3000K-21°-CRI 90	25 W	WHITE
22107110-1241	CLD-D-D	1,70	LED COB-2160lm-3000K-21°-CRI 90	25 W	WHITE
22107111-00	CLD	1,20	LED COB-2225lm-4000K-21°-CRI 90	25 W	WHITE
22107111-1241	CLD-D-D	1,70	LED COB-2225lm-4000K-21°-CRI 90	25 W	WHITE
22107112-00	CLD	1,70	LED COB-1847lm-3000K-28°-CRI 90	25 W	WHITE
22107112-1241	CLD-D-D	1,70	LED COB-1847lm-3000K-28°-CRI 90	25 W	WHITE
22107113-00	CLD	1,70	LED COB-1986lm-4000K-28°-CRI 90	25 W	WHITE
22107113-1241	CLD-D-D	1,70	LED COB-1986lm-4000K-28°-CRI 90	25 W	WHITE
22107114-00	CLD	1,30	LED COB-1912lm-3000K-40°-CRI 90	25 W	WHITE
22107114-1241	CLD-D-D	1,70	LED COB-1912lm-3000K-40°-CRI 90	25 W	WHITE
22107115-00	CLD	1,70	LED COB-2056lm-4000K-40°-CRI 90	25 W	WHITE
22107115-1241	CLD-D-D	1,70	LED COB-2056lm-4000K-40°-CRI 90	25 W	WHITE

The reported luminous flux is the flux emitted by the light source with a tolerance of $\pm 10\%$ compared to the indicated value. The W tot column indicates the total wattage absorbed by the system without exceeding 10% of the indicated