

Rio "A" - universal adapter

This floodlight's special design represents an effective complement to the decoration of the interior in which it is installed.

Ideal for commercial premises where lighting is used for many hours a day, or in areas characterised by high-quality, stable-colour functional and accent lighting.

Housing: in die-cast aluminium.

Reflector: in die-cast polished aluminium, high efficiency and anti-glare.

Coating: Power-coated with a UV-resistant polyester epoxy paint.

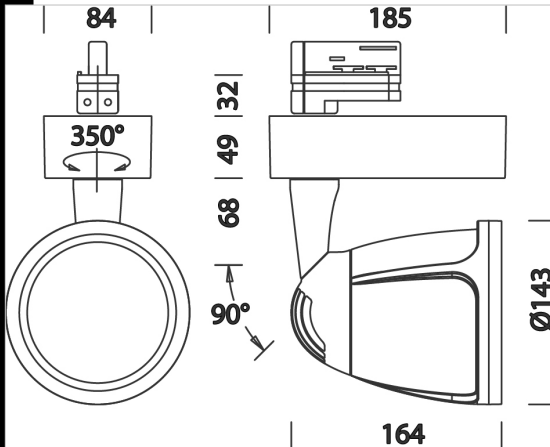
Regulations: Manufactured in accordance with EN 60598-1-CEI 34.21 standards. Degrees of protection in accordance with EN60529 standards.

Luminous flux maintenance 80%: 50.000h (L80B20).

Power factor >0.9

Photobiological safety class: exempt group EN62471.

On request: version with CASAMBI advanced home automation lighting control system (max. 40W).



Download

- DXF 2D
- riosbin.dxf
- 3DS
- fosnova_rio.3ds
- 3DM
- fosnova_rio.3dm
- Montaggi
- RIO rev7.pdf

Code	Gear	Kg	Lumen Output-K-CRI	WTot	Colour
22106010-00	CLD	1,80	LED COB-3877lm-3000K-45°-CRI>90	39 W	WHITE
22106030-00	CLD	1,80	LED COB-3877lm-3000K-45°-CRI>90	39 W	BLACK
22106070-00	CLD	1,80	LED COB-3877lm-3000K-45°-CRI>90	39 W	SILVER
22106011-00	CLD	1,80	LED COB-4148lm-4000K - 45°-CRI>90	39 W	WHITE
22106031-00	CLD	1,78	LED COB-4148lm-4000K - 45°-CRI>90	39 W	BLACK
22106071-00	CLD	1,80	LED COB-4148lm-4000K - 45°-CRI>90	39 W	SILVER
22106013-00	CLD	1,85	LED COB-4937lm-3000K-45°-CRI>90	54 W	WHITE
22106033-00	CLD	1,55	LED COB-4937lm-3000K-45°-CRI>90	54 W	BLACK
22106073-00	CLD	1,70	LED COB-4937lm-3000K-45°-CRI>90	54 W	SILVER
22106014-00	CLD	1,85	LED COB-5309lm-4000K-45°-CRI>90	54 W	WHITE
22106034-00	CLD	1,70	LED COB-5309lm-4000K-45°-CRI>90	54 W	BLACK
22106074-00	CLD	1,80	LED COB-5309lm-4000K-45°-CRI>90	54 W	SILVER

Accessori



- Universal adapter recessed



- Universal adapter base



- Power adapter DIMM-DALI

The reported luminous flux is the flux emitted by the light source with a tolerance of $\pm 10\%$ compared to the indicated value. The W tot column indicates the total wattage absorbed by the system without exceeding 10% of the indicated