

**Download**

Montaggi  
- KRIPTON rev6.pdf



## Krypton 1B

Krypton LED is Fosnova's new completely adjustable track-mounted spotlight equipped with a universal adapter: it is the perfect product for a tailor made lighting system that can enhance any setting. Equipped with a reflector in efficient high-gloss aluminium, it comes with latest generation LEDs they guarantee long lamp life and excellent flux maintenance. The new LED spotlights enable designers to create even more sophisticated and especially low energy lighting systems.

Housing: in die-cast aluminium.

Reflector: in die-cast polished aluminium, high efficiency and anti-glare.

Coating: UV-resistant polyester epoxy powder coating.

Equipment: adjustable around its vertical axis from 0° to 355°

Standard: manufactured pursuant to EN 60598-1-CEI 34.21 and with a degree of protection pursuant to EN 60529.

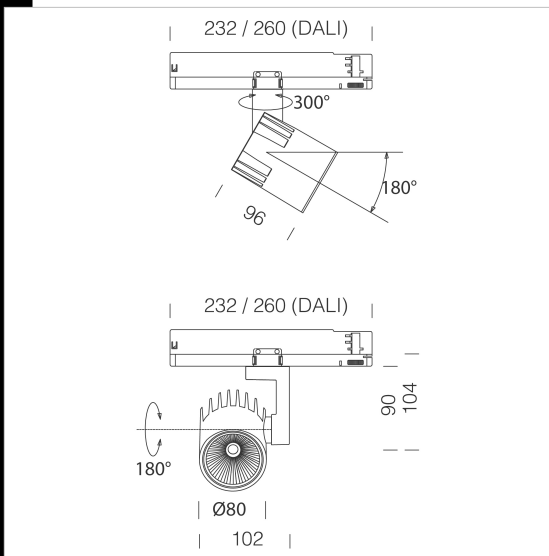
Universal Adapter

LED: Luminous flux maintenance L80B20: 50.000h.

Power factor >0.9

Photobiological safety class: exempt group EN62471.

DALI dimmable version -1241 to be used with OMNITRACK PLUS track-mounted system.



Code	Gear	Kg	Lumen Output-K-CRI	WTot	Colour
22104310-00	CLD	0,60	LED COB-2558lm-3000K-45°-CRI>95	27 W	WHITE
22104330-00	CLD	0,58	LED COB-2558lm-3000K-45°-CRI>95	27 W	BLACK
22104311-00	CLD	0,59	LED COB-2737lm-4000K-45°-CRI>95	27 W	WHITE
22104331-00	CLD	0,80	LED COB-2737lm-4000K-45°-CRI>95	27 W	BLACK
22104310-1241	CLD-D-D	0,80	LED COB-2558lm-3000K-45°-CRI>95	27 W	WHITE
22104330-1241	CLD-D-D	0,80	LED COB-2558lm-3000K-45°-CRI>95	27 W	BLACK
22104311-1241	CLD-D-D	0,80	LED COB-2737lm-4000K-45°-CRI>95	27 W	WHITE
22104331-1241	CLD-D-D	0,80	LED COB-2737lm-4000K-45°-CRI>95	27 W	BLACK

### Accessori



- Universal adapter recessed



- Universal adapter base

The reported luminous flux is the flux emitted by the light source with a tolerance of ± 10% compared to the indicated value. The W tot column indicates the total wattage absorbed by the system without exceeding 10% of the indicated