

Krypton 3

Krypton LED is Fosnova's new completely adjustable track-mounted spotlight equipped with a universal adapter: it is the perfect product for a tailor made lighting system that can enhance any setting. Equipped with a reflector in efficient high-gloss aluminium, it comes with latest generation LEDs they guarantee long lamp life (50000 hours) and excellent flux maintenance. The new LED spotlights enable designers to create even more sophisticated and especially low energy lighting systems.

Housing: in die-cast aluminium.

Reflector: in die-cast polished aluminium, high efficiency and anti-glare.

Coating: UV-resistant polyester epoxy powder coating.

Equipment: adjustable around its vertical axis from 0° to 355°

Standard: manufactured pursuant to EN 60598-1-CEI 34.21 and with a degree of protection pursuant to EN 60529.

Universal Adapter

LED: Luminous flux maintenance L80B20: 50.000h.

Power factor >0.9

Photobiological safety class: exempt group EN62471.

DALI dimmable version -1241 to be used with OMNITRACK PLUS track-mounted system.

Download

DXF 2D

- krypton3.dxf

3DS

- fosnova_krypton_3.3ds

3DM

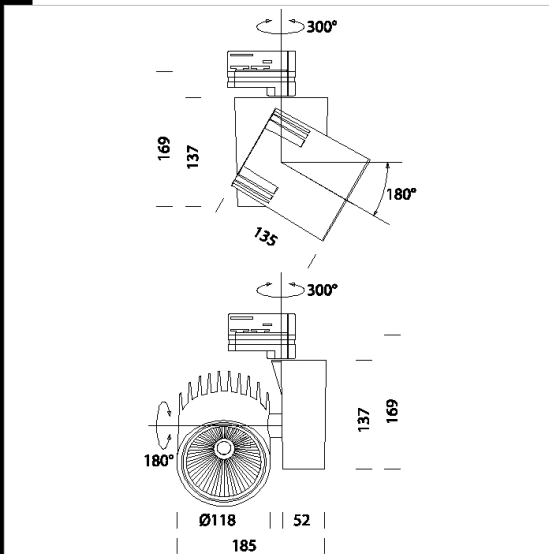
- fosnova_krypton_3.3dm

Montaggi

- KRIPTON rev5.pdf

BIM

- Krypton 3 - 20201005.zip



Code	Gear	Kg	Lumen Output-K-CRI	WTot	Colour
22104210-00	CLD CELL	1,55	LED COB-2754lm-3000K-35°-CRI>95	40 W	WHITE
22104230-00	CLD CELL	1,55	LED COB-2754lm-3000K-35°-CRI>95	40 W	BLACK
22104211-00	CLD CELL	1,56	LED COB-2975lm-4000K - 35°-CRI>95	40 W	WHITE
22104231-00	CLD CELL	1,55	LED COB-2975lm-4000K - 35°-CRI>95	40 W	BLACK
22104210-1241	CLD CELL-D-D	1,63	LED COB-2754lm-3000K-35°-CRI>95	40 W	WHITE
22104230-1241	CLD CELL-D-D	1,55	LED COB-2754lm-3000K-35°-CRI>95	40 W	BLACK
22104211-1241	CLD CELL-D-D	1,65	LED COB-2975lm-4000K-35°-CRI>95	40 W	WHITE
22104231-1241	CLD CELL-D-D	1,55	LED COB-2975lm-4000K-35°-CRI>95	40 W	BLACK

Accessori



- Universal adapter recessed



- Universal adapter base



- Power adapter DIMM-DALI

The reported luminous flux is the flux emitted by the light source with a tolerance of $\pm 10\%$ compared to the indicated value. The W tot column indicates the total wattage absorbed by the system without exceeding 10% of the indicated