

Matrix Q10 Dark "C" - universal adapter

This version features a particular shape and a design with clean lines that can meet different architectonic lighting needs using high colour rendering LEDs. It is an all-new spotlight, which is entirely adjustable for an extraordinarily effective lighting project that adds value to any space and object. Housing: in die-cast aluminium. Optic compartment: front in black polycarbonate (the white colour version is available upon request). Lens: in PMMA with high efficiency output and very low glare rate. Equipment: supplied with universal adapter in track mounted versions. Regulations: Manufactured in accordance with EN 60598-1-CEI 34.21 standards. Degree of protection in accordance with EN60529 standards.

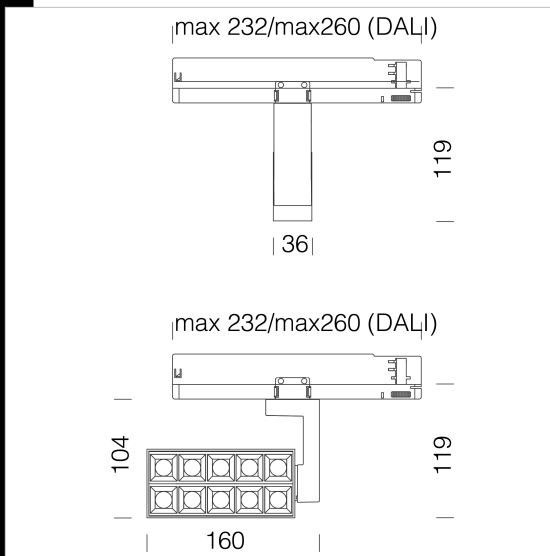
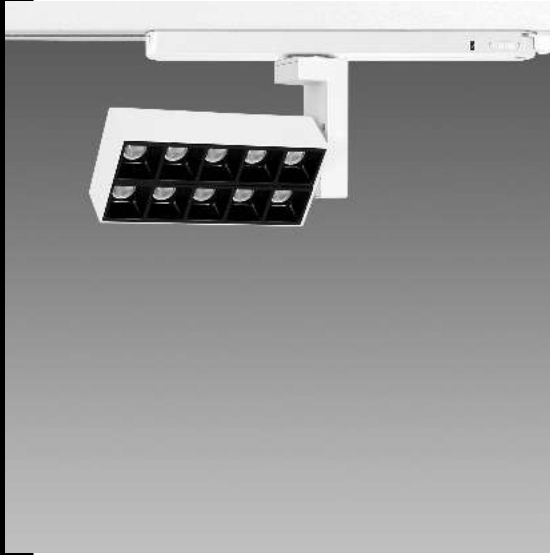
LED: High-efficiency light sources (CRI 90).

Luminous flux maintenance L80B20: 50.000h.

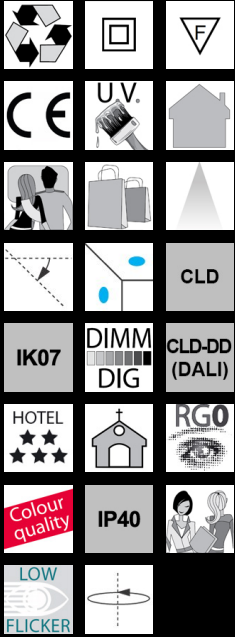
Power factor >0.95

Photobiological safety class: Exempt group

DALI dimmable version -1241 to be used with OMNITRACK PLUS track-mounted system.



Code	Gear	Kg	Lumen Output-K-CRI	WTot	Colour
22103611-00	CLD	0,61	LED-1873lm-4000K-22°-CRI>90	20 W	WHITE
22103611-39	CLD	0,71	LED-1818lm-3000K-22°-CRI>90	20 W	WHITE
22103611-1241	CLD-D-D	0,71	LED-1873lm-4000K-22°-CRI>90	20 W	WHITE
22103611-3941	CLD-D-D	0,71	LED-1818lm-3000K-22°-CRI>90	20 W	WHITE



Download

DXF 2D
- 103611.dxf

The reported luminous flux is the flux emitted by the light source with a tolerance of $\pm 10\%$ compared to the indicated value. The W tot column indicates the total wattage absorbed by the system without exceeding 10% of the indicated