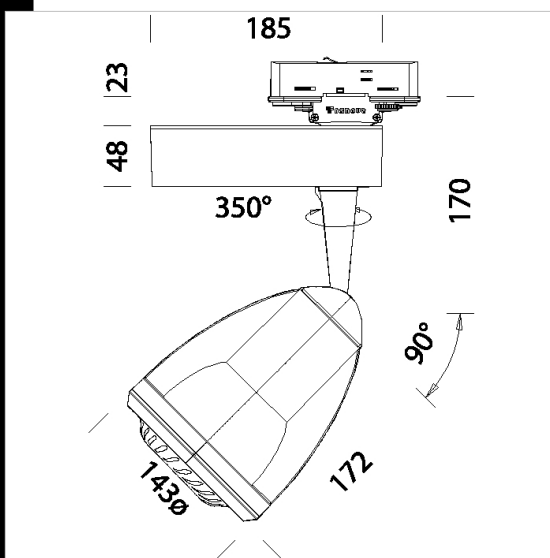


Matrix B5 PAR 30 LED 220-240V - Universal adapter

Housing: In die-cast aluminium with central shaft to carry cables.
 Coating: with a UV-stabilised powder acrylic-resin paint
 Equipment: Supplied with an aiming bar .
 Regulations: Manufactured in accordance with EN 60598-1-CEI 34.21 standards. Degree of protection in accordance with EN60529 standards
 Luminous flux maintenance L70B50: 40.000h.
 Power factor >0.9
 Photobiological safety class: exempt group EN62471.



Download

DXF 2D
 - 100871.dxf

Montaggi
 - MATRIX A-B rev1.pdf

Code	Gear	Kg	Lumen Output-K-CRI	WTot	Colour
22100871-00	CLD CELL-D	1.75	LED PAR30-815lm-2700K-25°-CRI 80	9 W	ARGENTO
22100831-00	CLD CELL-D	1.30	LED PAR30-815lm-2700K-25°-CRI 80	9 W	NERO
22100811-00	CLD CELL-D	1.25	LED PAR30-815lm-2700K-25°-CRI 80	9 W	BIANCO

Accessories



- Universal adapter recessed



- Universal adapter base

The reported luminous flux is the flux emitted by the light source with a tolerance of $\pm 10\%$ compared to the indicated value. The W tot column indicates the total wattage absorbed by the system without exceeding 10% of the indicated