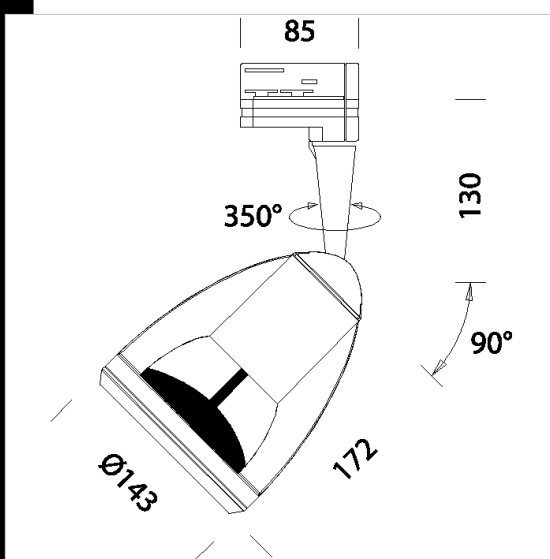


Matrix B5 LED111 - Universal adapter

Housing: In die-cast aluminium with central shaft to carry cables.
 Coating: with a UV-stabilised powder acrylic-resin paint
 Equipment: Supplied with an aiming bar .
 Regulations: Manufactured in accordance with EN 60598-1-CEI 34.21 standards. Degree of protection in accordance with EN60529 standards.
 Luminous flux maintenance L70B50: 35.000h.
 Power factor >0.9
 Photobiological safety class: exempt group EN62471.

Download

DXF 2D
 - 100870.dxf
 Montaggi
 - MATRIX A-B rev1.pdf



Code	Gear	Kg	Lumen Output-K-CRI	WTot	Colour
22100810-00	CLD CELL	1.25	LED 111-1800lm-3000K-24°-CRI 83	25 W	BIANCO
22100870-00	CLD CELL	1.20	LED 111-1800lm-3000K-24°-CRI 83	25 W	ARGENTO
22100830-00	CLD CELL	1.20	LED-1800lm-3000K-24°-CRI 83	25 W	NERO

Accessories



- Universal adapter recessed



- Universal adapter base

The reported luminous flux is the flux emitted by the light source with a tolerance of $\pm 10\%$ compared to the indicated value. The W tot column indicates the total wattage absorbed by the system without exceeding 10% of the indicated