

### Matrix B3 - Universal adapter

Housing: In die-cast aluminium with central shaft to carry cables.  
 Reflector: Polished anodised aluminium.  
 Diffuser: Tempered glass .

Coating: with a UV-stabilised powder acrylic-resin paint  
 Lampholder: Ceramic with silver-plated contacts

Electric gear: 230 V/50 Hz power supply with electronic ballast or 12V transformer. Silicone wire with fibreglass braid, cross-section 1.0 sqmm.  
 Equipment: Supplied with an aiming bar .

Regulations: Manufactured in accordance with EN 60598-1-CEI 34.21 standards. Degree of protection in accordance with EN60529 standards.  
 CDM Elite Lamps: suitable for shopping centres, ideal for enhancing the goods displayed.

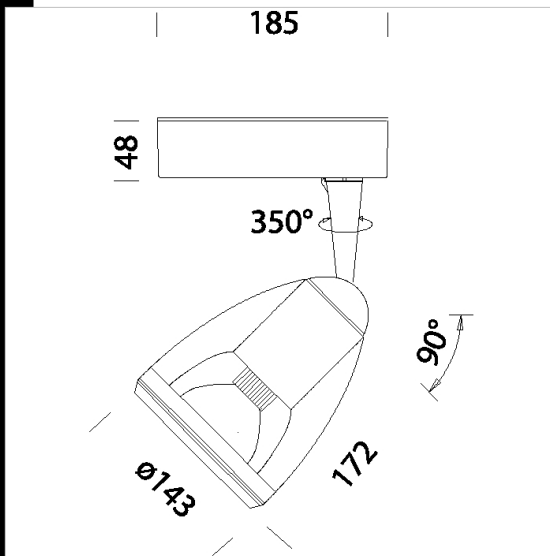
- Maintenance cost reduction
- 10% increase in energy efficiency in contrast with traditional lamps
- Excellent color rendering (Ra 90)
- Improved light levels (twice as powerful)

CDM-TC Elite 50W: 25% longer lifespan, 30% energy saving and lower power consumption compared to Elite 70W

#### Download

DXF 2D  
 - matrib3.dxf

Montaggi  
 - MATRIX 07-06.pdf



| Code        | Gear   | Kg   | Lumen-K-CRI                           | WTot | Base | Colour |
|-------------|--------|------|---------------------------------------|------|------|--------|
| 22100675-00 | CELL   | 1.75 | CDM-TC 35 elite FL-3900lm-3000K-Ra 90 | 47 W | G8.5 | SILVER |
| 22100616-00 | CELL   | 1.75 | CDM-TC 70 elite FS-7700lm-3000K-Ra 90 | 83 W | G8.5 | WHITE  |
| 22100611-00 | CELL   | 1.75 | CDM-TC 35 elite FS-3900lm-3000K-Ra 90 | 47 W | G8.5 | WHITE  |
| 22100615-00 | CELL   | 1.75 | CDM-TC 35 elite FL-3900lm-3000K-Ra 90 | 47 W | G8.5 | WHITE  |
| 22100633-00 | CELL   | 1.75 | CDM-TC 70 elite FM-7700lm-3000K-Ra 90 | 83 W | G8.5 | BLACK  |
| 22100673-00 | CELL-F | 1.75 | CDM-TC 70 elite FM-7700lm-3000K-Ra 90 | 83 W | G8.5 | SILVER |
| 22100636-00 | CELL   | 1.75 | CDM-TC 70 elite FS-7700lm-3000K-Ra 90 | 83 W | G8.5 | BLACK  |
| 22100634-00 | CELL   | 1.70 | CDM-TC 50 elite FL-5400lm-3000K-Ra 90 | 58 W | G8.5 | BLACK  |
| 22100672-00 | CELL   | 1.75 | CDM-TC 35 elite FM-3900lm-3000K-Ra 90 | 47 W | G8.5 | SILVER |
| 22100671-00 | CELL   | 1.75 | CDM-TC 35 elite FS-3900lm-3000K-Ra 90 | 47 W | G8.5 | SILVER |
| 22100638-00 | CELL   | 1.75 |                                       | 83 W |      | BLACK  |
| 22100630-00 | CELL   | 1.95 | CDM-TC 50 elite FS-5400lm-3000K-Ra 90 | 58 W | G8.5 | BLACK  |
| 22100637-00 | CELL   | 1.65 | CDM-TC 50 elite FM-5400lm-3000K-Ra 90 | 58 W | G8.5 | BLACK  |
| 22100612-00 | CELL   | 1.75 | CDM-TC 35 elite FM-3900lm-3000K-Ra 90 | 47 W | G8.5 | WHITE  |
| 22100610-00 | CELL   | 1.85 | CDM-TC 50 elite FS-5400lm-3000K-Ra 90 | 58 W | G8.5 | WHITE  |
| 22100670-00 | CELL   | 1.75 | CDM-TC 50 elite FS-5400lm-3000K-Ra 90 | 58 W | G8.5 | SILVER |
| 22100674-00 | CELL   | 1.80 | CDM-TC 50 elite FL-5400lm-3000K-Ra 90 | 58 W | G8.5 | SILVER |
| 22100635-00 | CELL   | 1.75 | CDM-TC 35 elite FL-3900lm-3000K-Ra 90 | 47 W | G8.5 | BLACK  |
| 22100676-00 | CELL   | 1.75 | CDM-TC 70 elite FS-7700lm-3000K-Ra 90 | 83 W | G8.5 | SILVER |
| 22100618-00 | CELL   | 1.75 |                                       | 83 W |      | WHITE  |
| 22100614-00 | CELL   | 1.85 | CDM-TC 50 elite FL-5400lm-3000K-Ra 90 | 58 W | G8.5 | WHITE  |
| 22100677-00 | CELL   | 1.75 | CDM-TC 50 elite FM-5400lm-3000K-Ra 90 | 58 W | G8.5 | SILVER |
| 22100631-00 | CELL   | 1.75 | CDM-TC 35 elite FS-3900lm-3000K-Ra 90 | 47 W | G8.5 | BLACK  |
| 22100678-00 | CELL   | 1.75 |                                       | 83 W |      | SILVER |
| 22100613-00 | CELL   | 1.75 | CDM-TC 70 elite FM-7700lm-3000K-Ra 90 | 83 W | G8.5 | WHITE  |
| 22100617-00 | CELL   | 1.80 | CDM-TC 50 elite FM-5400lm-3000K-Ra 90 | 58 W | G8.5 | WHITE  |
| 22100632-00 | CELL   | 1.75 | CDM-TC 35 elite FM-3900lm-3000K-Ra 90 | 47 W | G8.5 | BLACK  |

The reported luminous flux is the flux emitted by the light source with a tolerance of ± 10% compared to the indicated value. The W tot column indicates the total wattage absorbed by the system without exceeding 10% of the indicated

#### Accessories

Matrix B3 - Universal adapter

---

## Accessories



- Conveyor B3

The reported luminous flux is the flux emitted by the light source with a tolerance of  $\pm 10\%$  compared to the indicated value. The W tot column indicates the total wattage absorbed by the system without exceeding 10% of the indicated