

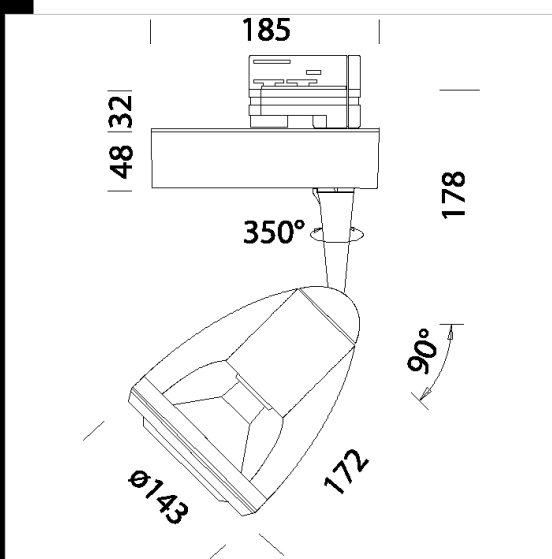
Matrix B2 - Universal adapter

Housing: In die-cast aluminium with central shaft to carry cables.
 Reflector: Polished anodised aluminium.
 Diffuser: Tempered glass .
 Coating: with a UV-stabilised powder acrylic-resin paint
 Lampholder: Ceramic with silver-plated contacts
 Electric gear: 230 V/50 Hz power supply with electronic ballast or 12V transformer. Silicone wire with fibreglass braid, cross-section 1.0 sqmm.
 Equipment: Supplied with an aiming bar .
 Regulations: Manufactured in accordance with EN 60598-1-CEI 34.21 standards. Degree of protection in accordance with EN60529 standards.

Download

DXF 2D
 - matfixb2.dxf

Montaggi
 - MATRIX 07-06.pdf



Code	Gear	Kg	Lumen-K-CRI	WTot	Base	Colour
22100533-00	CELL	1.75	CDM-R111 70-2850lm-3000K-Ra 1b	83 W	Gx8.5	BLACK
22100512-00	CELL-F	1.15	CDM-R111 35-1350lm-3000K-Ra 1b	47 W	Gx8.5	WHITE
22100532-00	CELL-F	1.15	CDM-R111 35-1350lm-3000K-Ra 1b	47 W	Gx8.5	BLACK
22100513-00	CELL	1.75	CDM-R111 70-2850lm-3000K-Ra 1b	83 W	Gx8.5	WHITE
22100573-00	CELL	1.75	CDM-R111 70-2850lm-3000K-Ra 1b	83 W	Gx8.5	SILVER
22100571-00	CELL	1.15	CDM-R111 35-1350lm-3000K-Ra 1b	47 W	Gx8.5	SILVER

The reported luminous flux is the flux emitted by the light source with a tolerance of $\pm 10\%$ compared to the indicated value. The W tot column indicates the total wattage absorbed by the system without exceeding 10% of the indicated