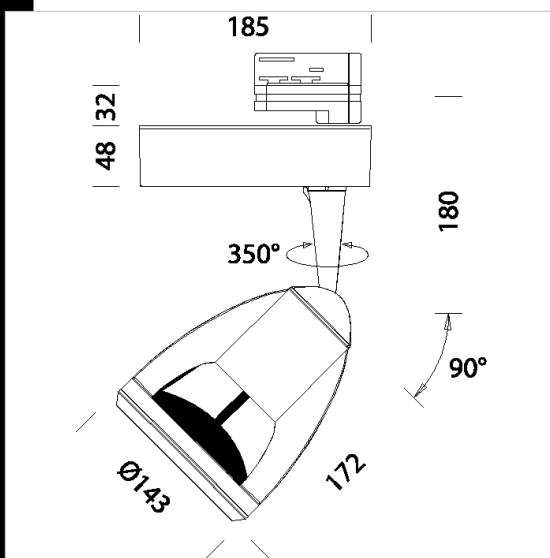


## Matrix B6 LED111 - Universal adapter

Housing: In die-cast aluminium with central shaft to carry cables.  
 Coating: with a UV-stabilised powder acrylic-resin paint  
 Equipment: Supplied with an aiming bar .  
 Regulations: Manufactured in accordance with EN 60598-1-CEI 34.21 standards. Degree of protection in accordance with EN60529 standards.  
 LED: 3300lm - 3000K - CRI83 - 40° - DIMM 1/10V  
 Luminous flux maintenance L70B50: 50.000h.  
 Power factor >0.9  
 Photobiological safety class: exempt group EN62471.

Download  
 DXF 2D  
 - 100471.dxf



Code	Gear	Kg	Watt	Base	Lamps	Colour
22100471-00	CLD CELL-D	1,70	LED 111 32W		3300lm-3000K - 40°-CRI 83	SILVER
22100411-00	CLD CELL-D	1,70	LED 111 32W		3300lm-3000K - 40°-CRI 83	WHITE
22100431-00	CLD CELL-D	1,85	LED 111 32W		3300lm-3000K - 40°-CRI 83	BLACK

### Accessories



- Universal adapter recessed



- Universal adapter base